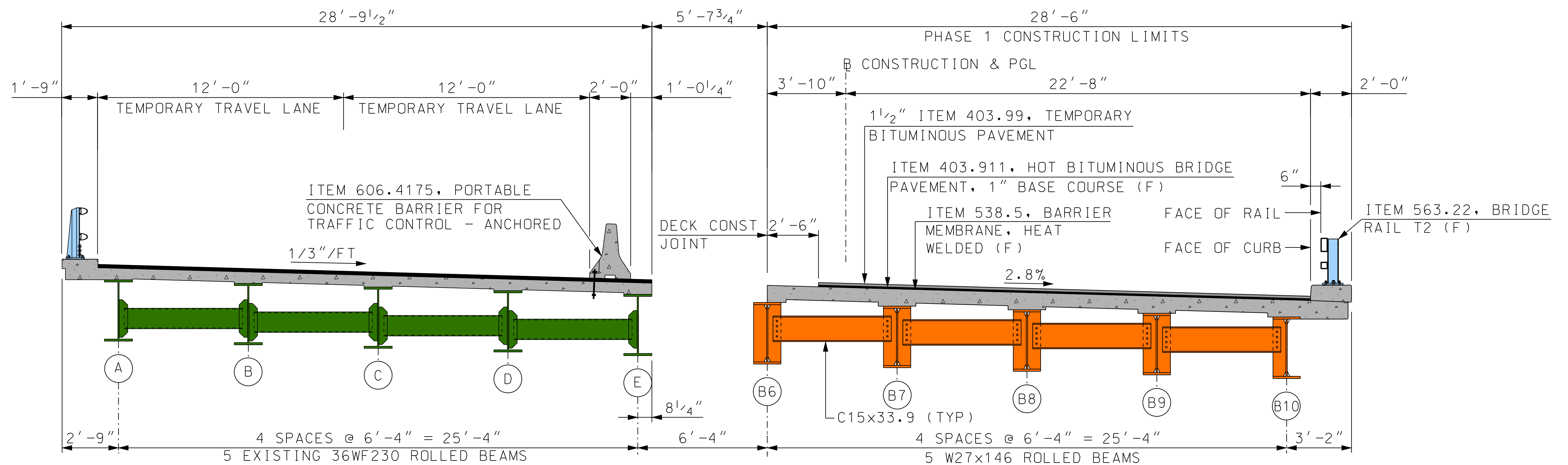


EXISTING TYPICAL DECK SECTION

SCALE: 3/8" = 1'-0"



PHASE 1 CONSTRUCTION SECTION

SCALE: 3/8" = 1'-0"