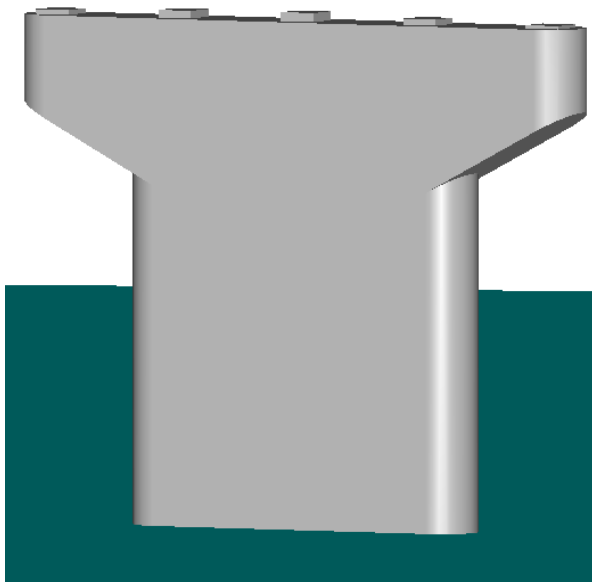
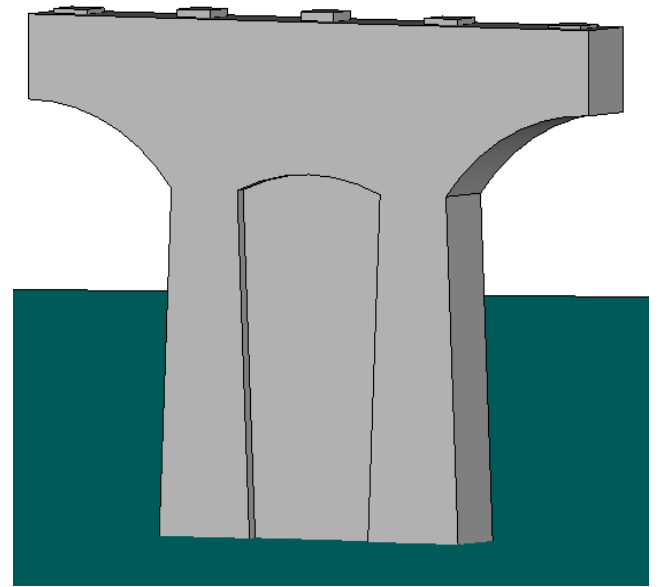


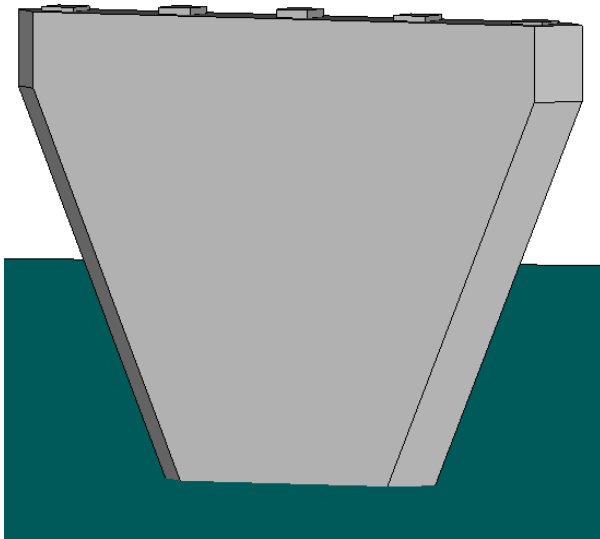
1. Hammer Head – Rounded



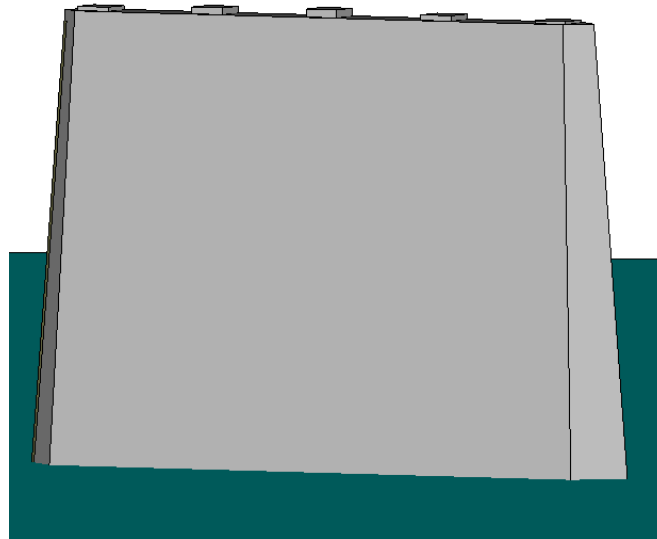
2. Hammer Head – Semi Rounded



3. Two – Column with Solid Infill Wall

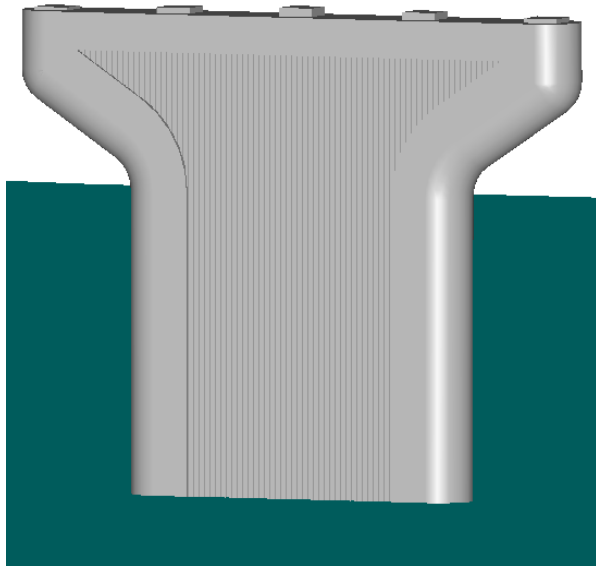


4. "V"

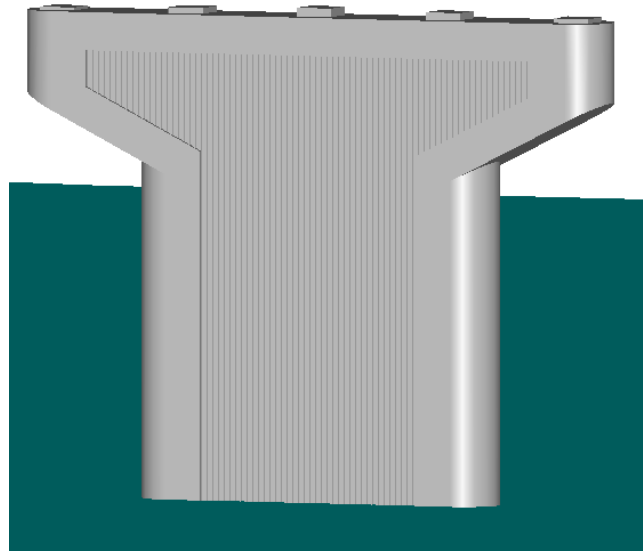


5. Solid Wall

Type A:  
No Surface Treatment

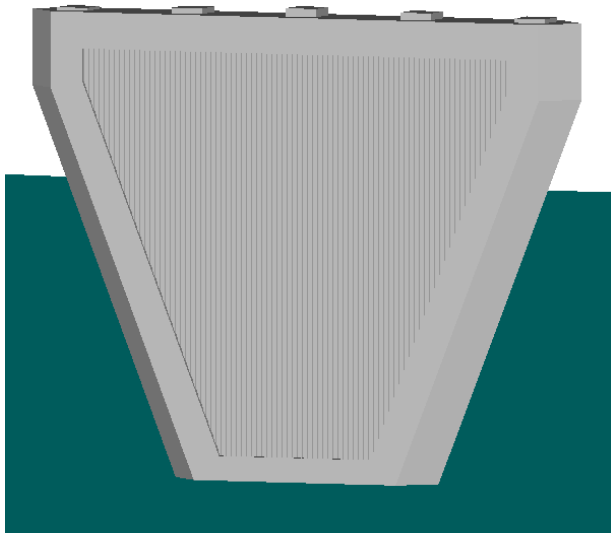


1. Hammer Head – Rounded

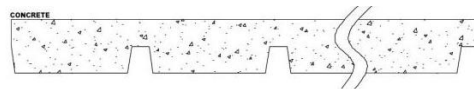


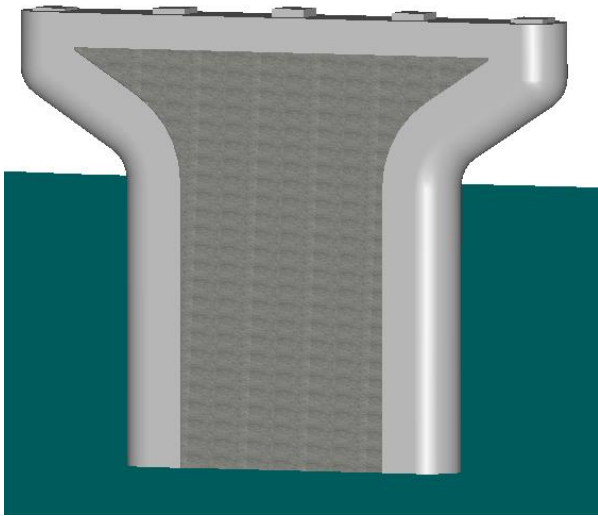
2. Hammer Head – Semi Rounded

Type B:  
Vertical Line  
Form liner

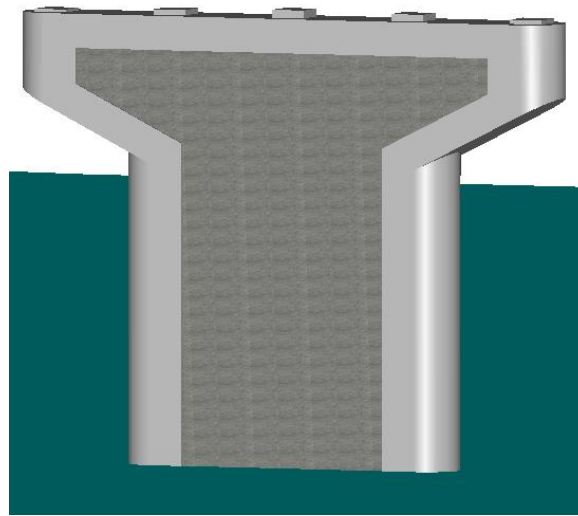


3. "V"

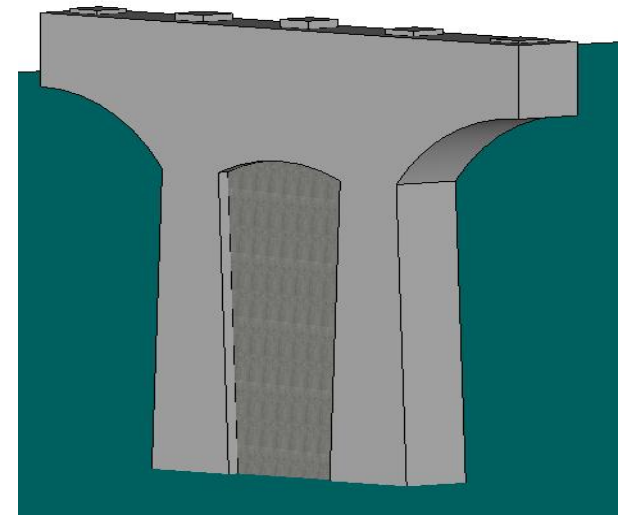




1. Hammer Head – Rounded

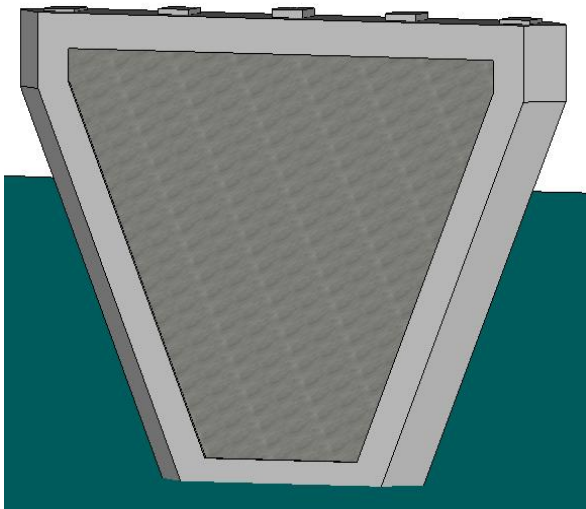


2. Hammer Head – Semi Rounded



3. Two – Column with Solid Infill Wall

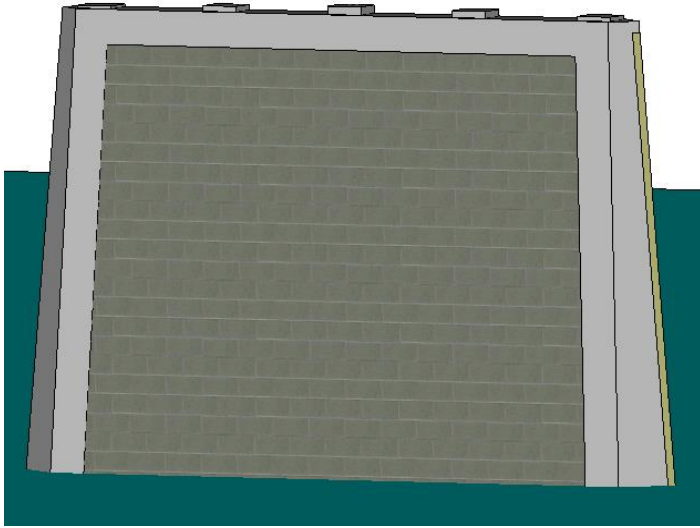
Note: Two Column view is slightly different from others to better show the intended 1' inset of the infill wall. All other pier types intended to have 3" inset.



4. "V"



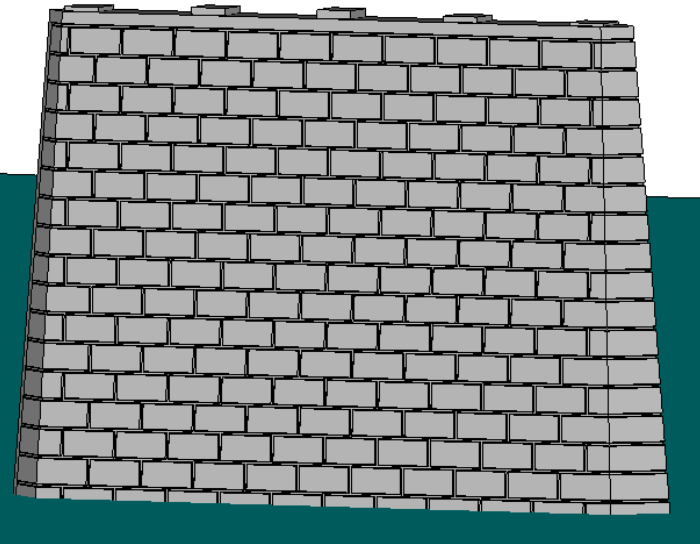
**Type C:  
Rough Surface  
Form liner**



1. Solid Wall



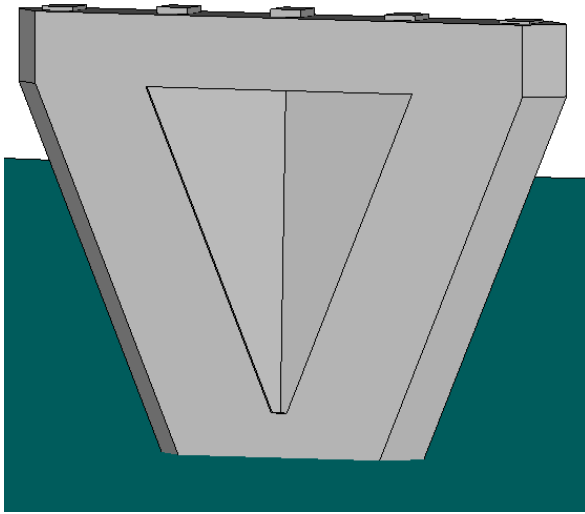
Type D:  
Granite Block w/ Relief  
Form liner



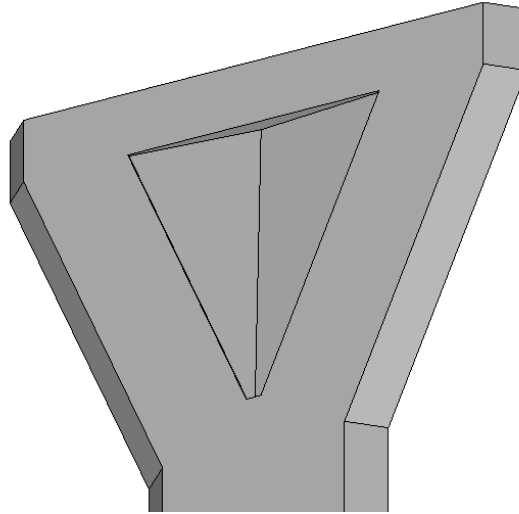
1. Solid Wall



Type E:  
Granite Block Smooth  
Rustication



1. "V" View 1



View 2



Type F:  
Sloped Inset



Granite Block w/ Relief on any other pier type



Dry Laid Stone



Vertical Lines Rough

Other Options