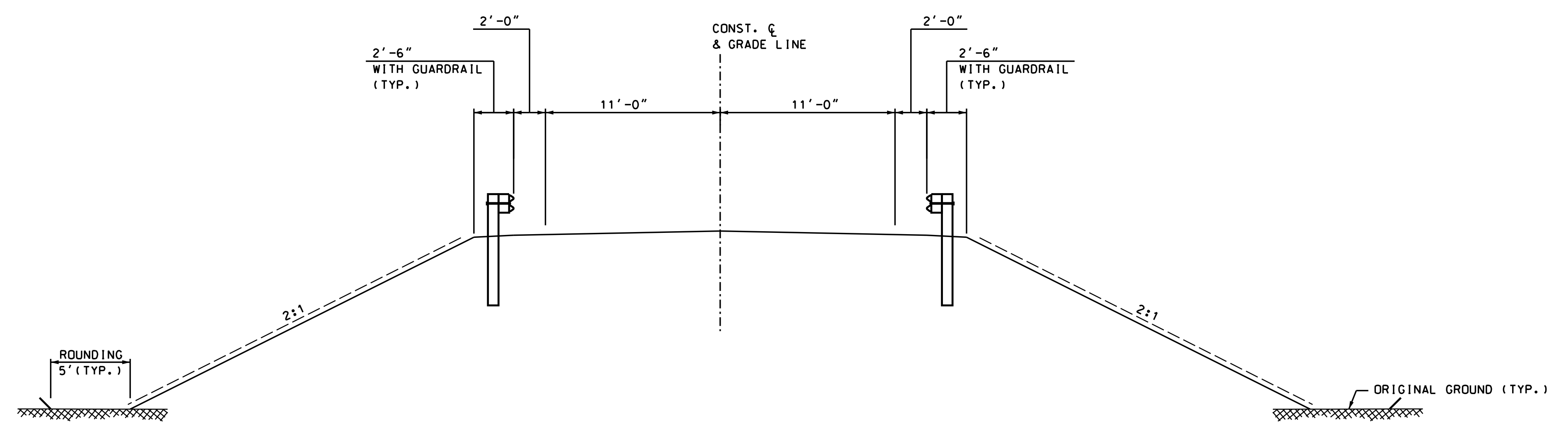


SDR PROCESSED		NAME1	DATE	DATE1	REVISIONS AFTER PROPOSAL	
NEW DESIGN		NAME2	DATE	DATE2	STATION	DESCRIPTION
SHEET CHECKED		NAME3	DATE	DATE3	STATION	DESCRIPTION
AS BUILT DETAILS			DATE		NUMBER	



PRECAST CONCRETE ARCH OPTION

STATE OF NEW HAMPSHIRE			
DEPARTMENT OF TRANSPORTATION • BUREAU OF HIGHWAY DESIGN			
<i>TYPICAL SECTION</i>			
DGN	STATE PROJECT NO.	SHEET NO.	TOTAL SHEETS





