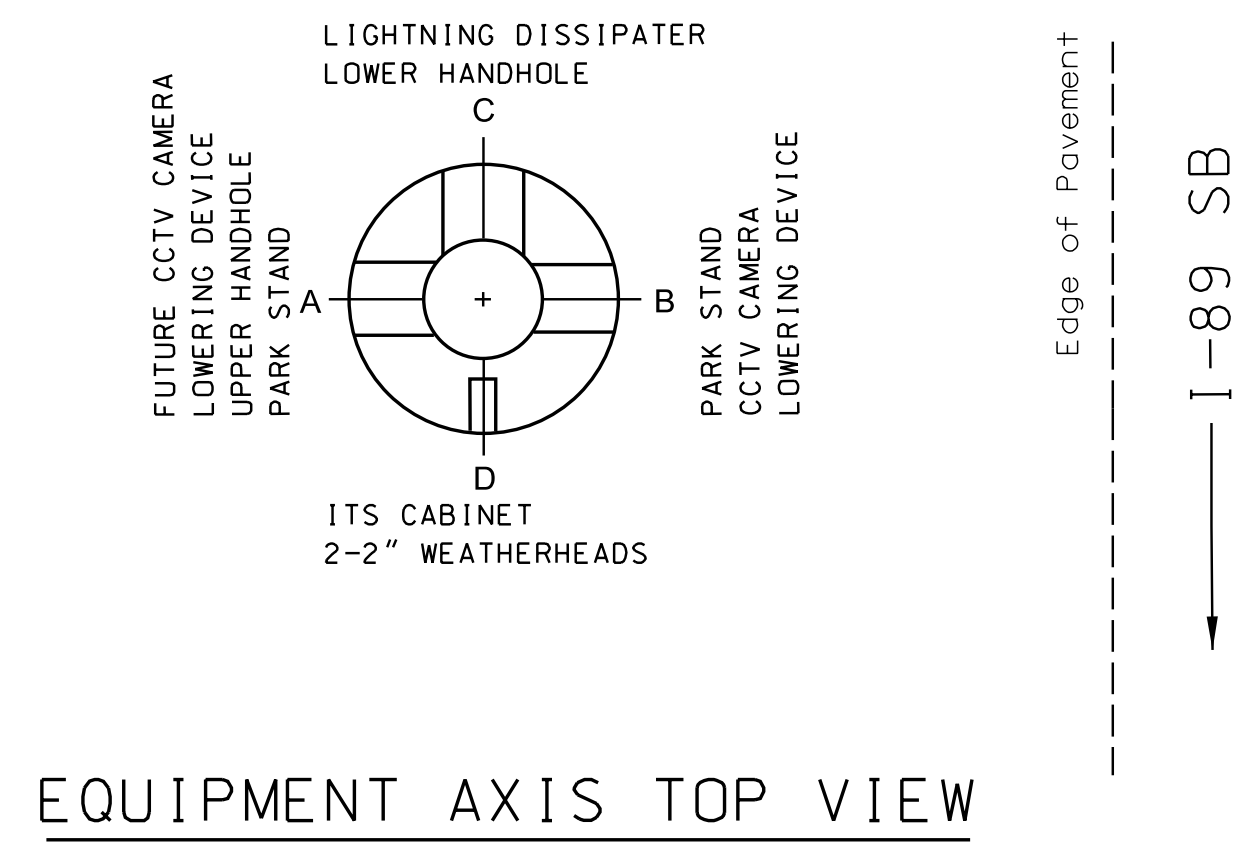
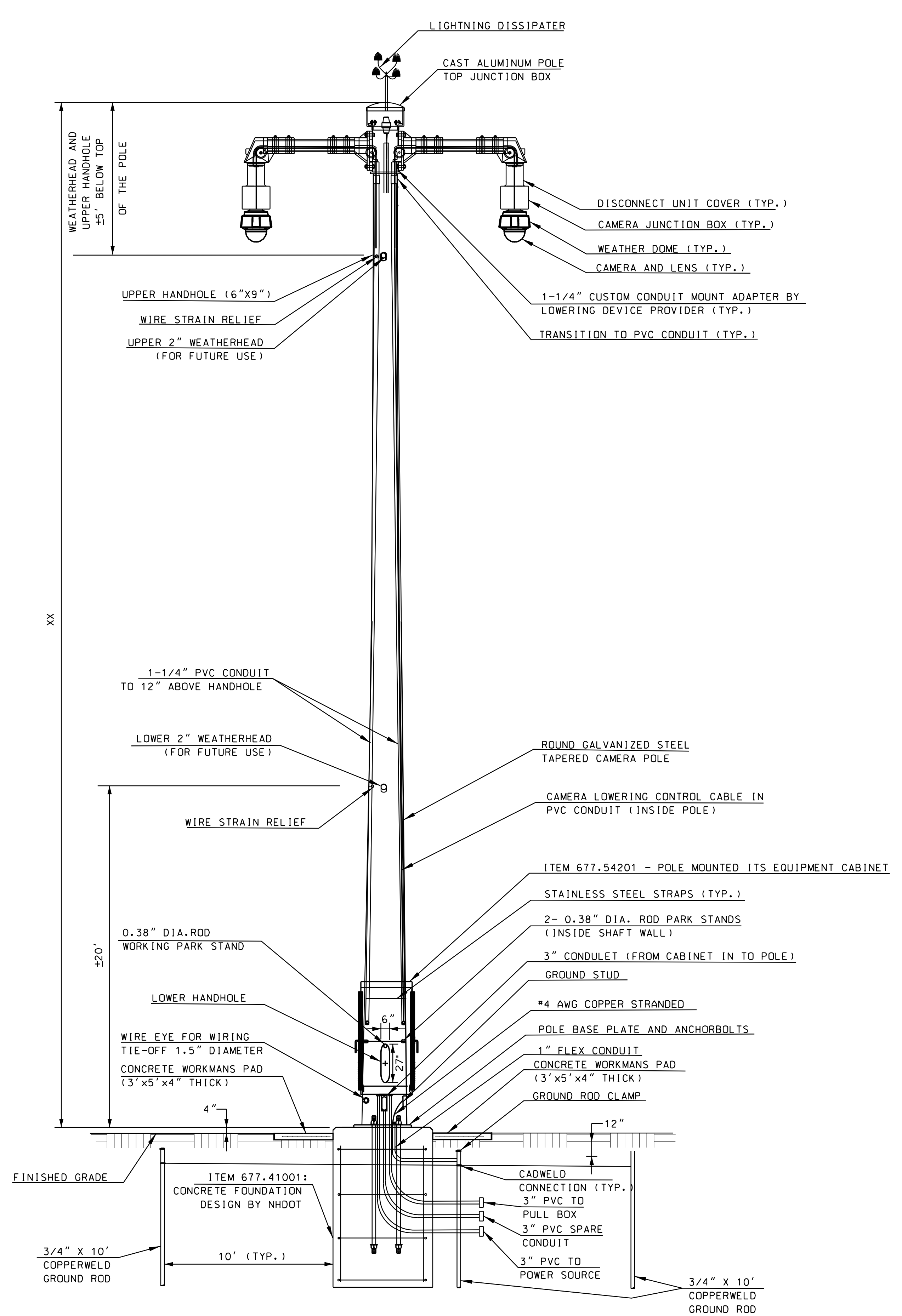


SDR PROCESSED	XX	DATE	XX	REVISIONS AFTER PROPOSAL	STATION	DESCRIPTION
NEW DESIGN	XX	DATE	XX			
SHEET CHECKED	XX	DATE	XX			
AS BUILT DETAILS		DATE				



NOTES:

1. SEE GROUND ROD ARRAY DETAIL (THIS SHEET).
2. CAMERA WIRING INSIDE POLE NOT SHOWN.
3. ALL WEATHERHEADS, HANDHOLES, CONDUIT ACCESS POINTS SHALL BE FACTORY INSTALLED. NO FIELD DRILLING OF POLE IS ALLOWED.
4. POWER AND COMMUNICATIONS CONDUIT ENTERING THE CABINET SHALL BE INSTALLED EXTERNAL TO THE POLE FOUNDATION AND DIRECTLY INTO THE BASE OF THE CABINET.
5. THE PROPOSED CCTV SYSTEM POLE AND FOUNDATION SHALL BE DESIGNED TO MEET THE REQUIREMENTS OF THE CCTV SYSTEM SPECIAL PROVISIONS, AND TO ACCOMMODATE INSTALLATION OF THE EQUIPMENT LISTED IN TABLE 1 BELOW.

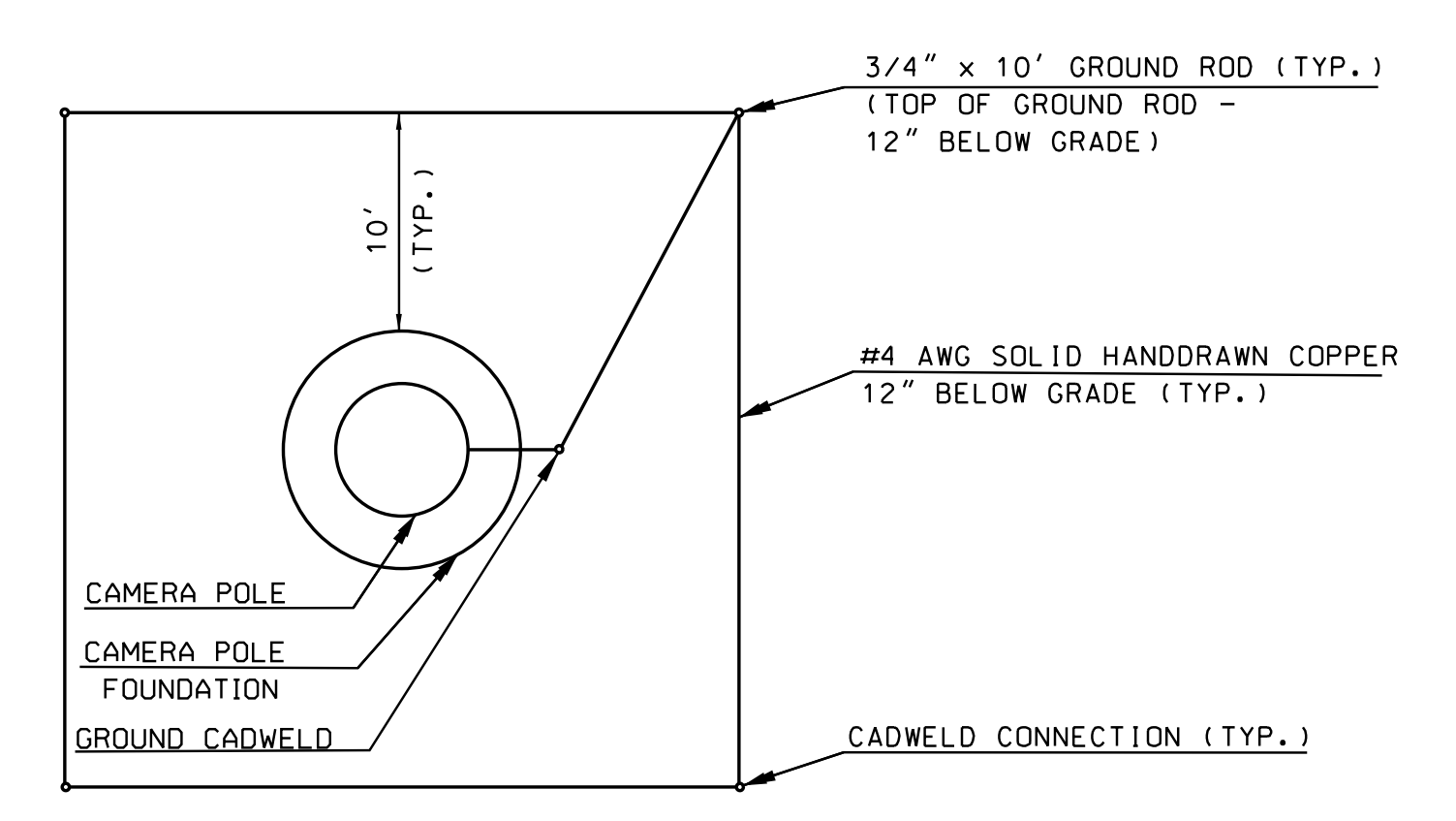


TABLE 1: POLE ATTACHMENTS

DESCRIPTION	QUANTITY	NOTES/LOCATION
LIGHTNING DISSIPATER	1	AS SHOWN IN CCTV DETAIL AND AS DESCRIBED IN SPECIAL PROVISIONS.
CAMERA LOWERING DEVICE	2	AS SHOWN IN CCTV DETAIL AND AS DESCRIBED IN SPECIAL PROVISIONS.
CCTV CAMERA	2	AS SHOWN IN CCTV DETAIL AND AS DESCRIBED IN SPECIAL PROVISIONS.
ADDITIONAL EQUIPMENT	1	AS SHOWN IN CCTV DETAIL (HEIGHT SHALL BE DETERMINED BY MANUFACTURER).
ITS POLE MOUNTED EQUIPMENT CABINET	1	AS SHOWN IN CCTV DETAIL AND AS DESCRIBED IN SPECIAL PROVISIONS.

ITEM 677.41XX - CLOSED CIRCUIT TELEVISION (CCTV) SYSTEM
 ITEM 677.410XX - CLOSED CIRCUIT TELEVISION (CCTV) SYSTEM FOUNDATION
 NOT TO SCALE

STATE OF NEW HAMPSHIRE
 DEPARTMENT OF TRANSPORTATION • BUREAU OF HIGHWAY DESIGN

CCTV POLE DETAIL
(POLE MOUNTED CABINET)

DGN	STATE PROJECT NO.	SHEET NO.	TOTAL SHEETS
\$FILENAME\$	\$SHNO\$	\$PSETNO\$	\$PSETTOT\$