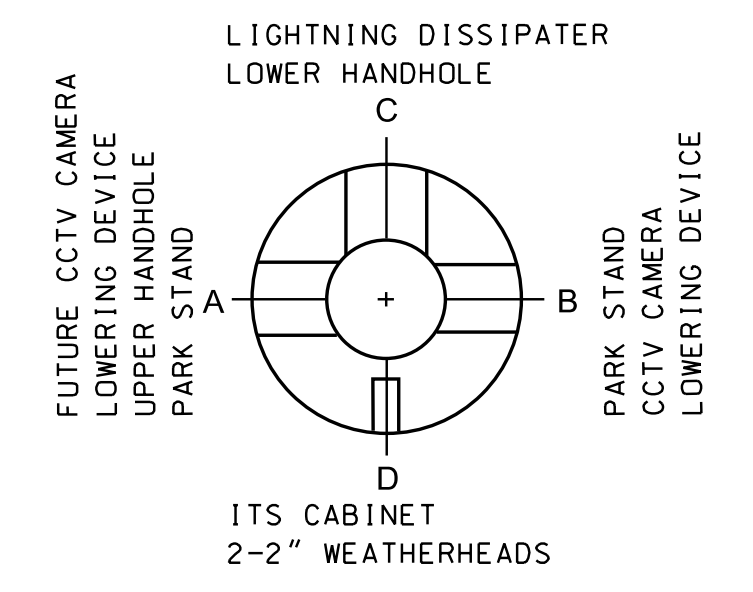
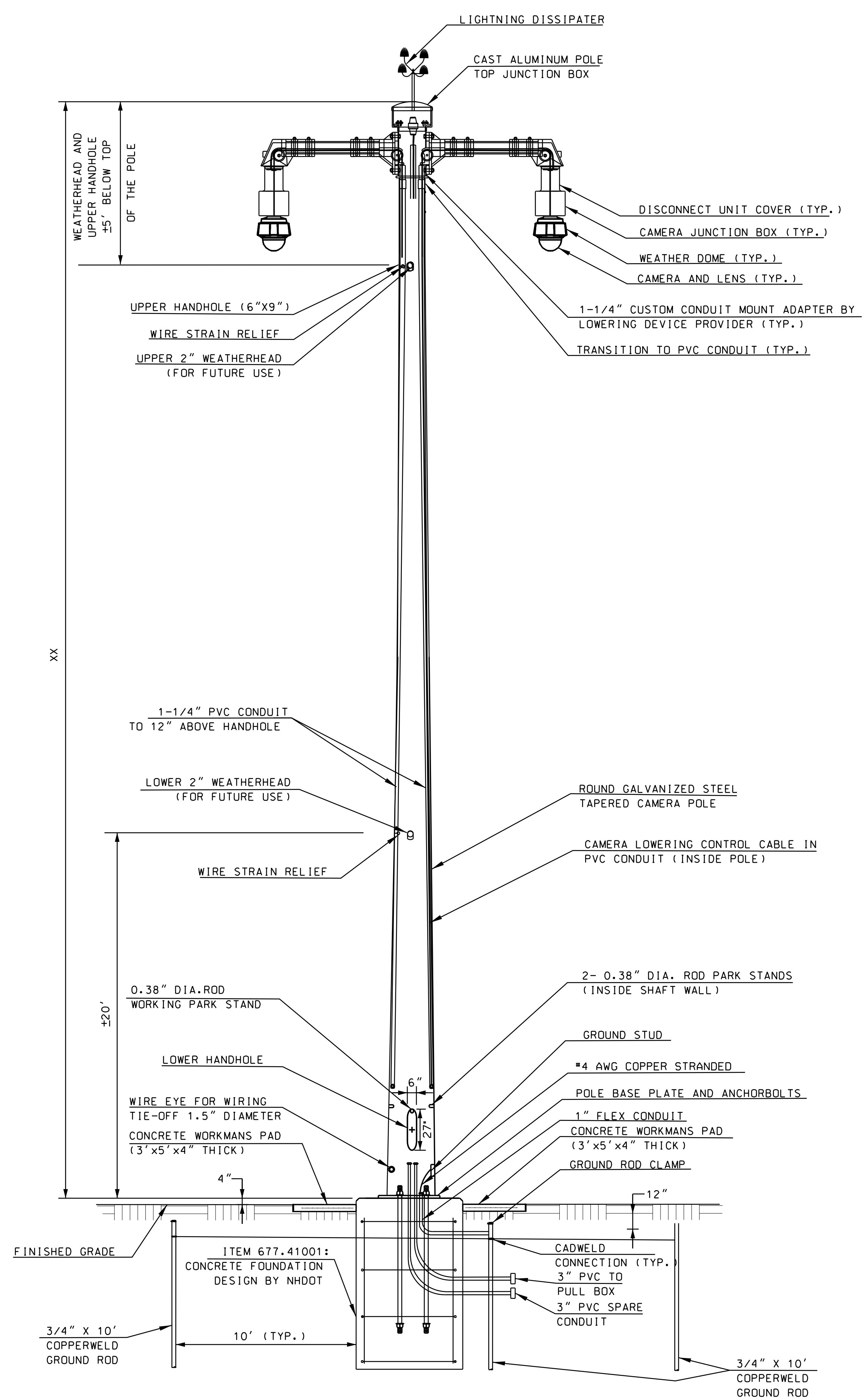


SDR PROCESSED	XX	DATE	XX	AS BUILT DETAILS
NEW DESIGN	XX	DATE	XX	
SHEET CHECKED	XX	DATE	XX	

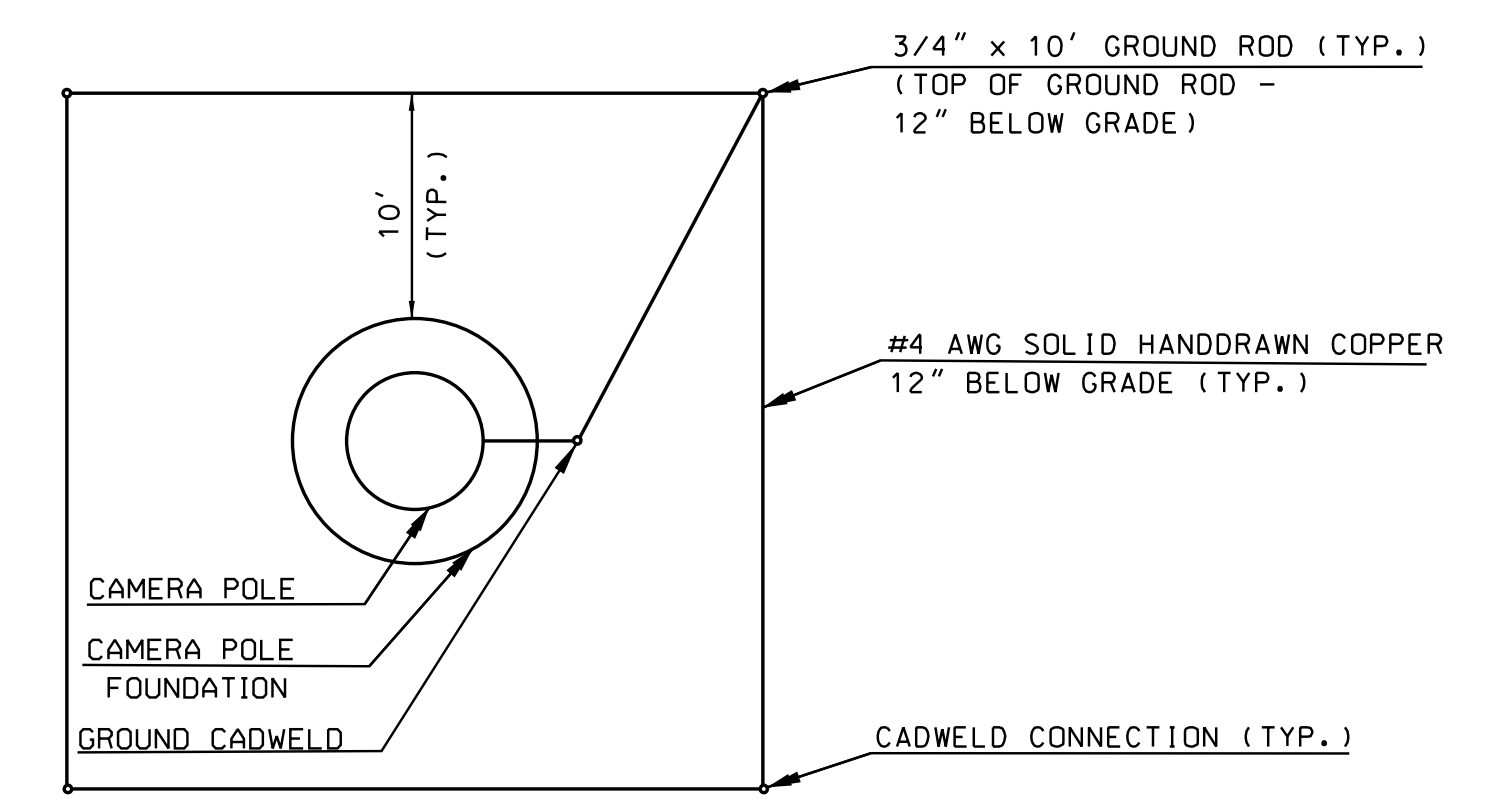
REVISIONS AFTER PROPOSAL	DESCRIPTION
STATION	
STATION	
DATE	
NUMBER	



EQUIPMENT AXIS TOP VIEW

NOTES:

- SEE GROUND ROD ARRAY DETAIL (THIS SHEET).
- CAMERA WIRING INSIDE POLE NOT SHOWN.
- ALL WEATHERHEADS, HANDHOLES, CONDUIT ACCESS POINTS SHALL BE FACTORY INSTALLED. NO FIELD DRILLING OF POLE IS ALLOWED.
- POWER AND COMMUNICATIONS CONDUIT ENTERING THE CABINET SHALL BE INSTALLED EXTERNAL TO THE POLE FOUNDATION AND DIRECTLY INTO THE BASE OF THE CABINET.
- THE PROPOSED CCTV SYSTEM POLE AND FOUNDATION SHALL BE DESIGNED TO MEET THE REQUIREMENTS OF THE CCTV SYSTEM SPECIAL PROVISIONS, AND TO ACCOMMODATE INSTALLATION OF THE EQUIPMENT LISTED IN TABLE 1 BELOW.



GROUND ROD ARRAY DETAIL  
NOT TO SCALE

TABLE 1: POLE ATTACHMENTS

DESCRIPTION	QUANTITY	NOTES/LOCATION
LIGHTNING DISSIPATER	1	AS SHOWN IN CCTV DETAIL AND AS DESCRIBED IN SPECIAL PROVISIONS.
CAMERA LOWERING DEVICE	2	AS SHOWN IN CCTV DETAIL AND AS DESCRIBED IN SPECIAL PROVISIONS.
CCTV CAMERA	2	AS SHOWN IN CCTV DETAIL AND AS DESCRIBED IN SPECIAL PROVISIONS.
ADDITIONAL EQUIPMENT	1	AS SHOWN IN CCTV DETAIL (HEIGHT SHALL BE DETERMINED BY MANUFACTURER).

ITEM 677.41XX - CLOSED CIRCUIT TELEVISION (CCTV) SYSTEM  
 ITEM 677.410XX - CLOSED CIRCUIT TELEVISION (CCTV) SYSTEM FOUNDATION  
 NOT TO SCALE

STATE OF NEW HAMPSHIRE			
DEPARTMENT OF TRANSPORTATION • BUREAU OF HIGHWAY DESIGN			
<b>CCTV POLE DETAIL</b> (GROUND MOUNTED CABINET)			
DGN	STATE PROJECT NO.	SHEET NO.	TOTAL SHEETS
\$FILENAME\$	\$SHNO\$	\$PSETNO\$	\$PSETTOT\$