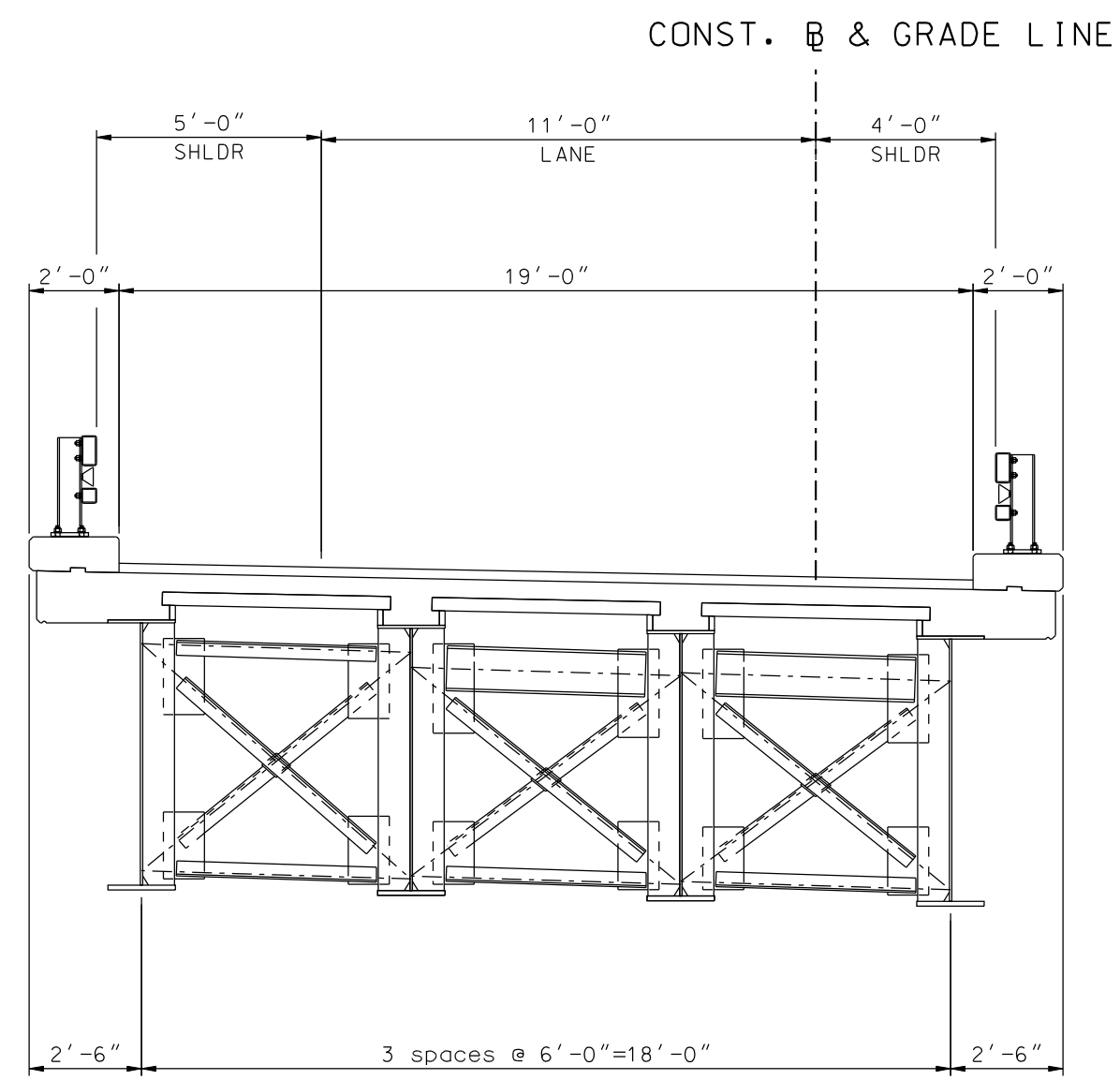
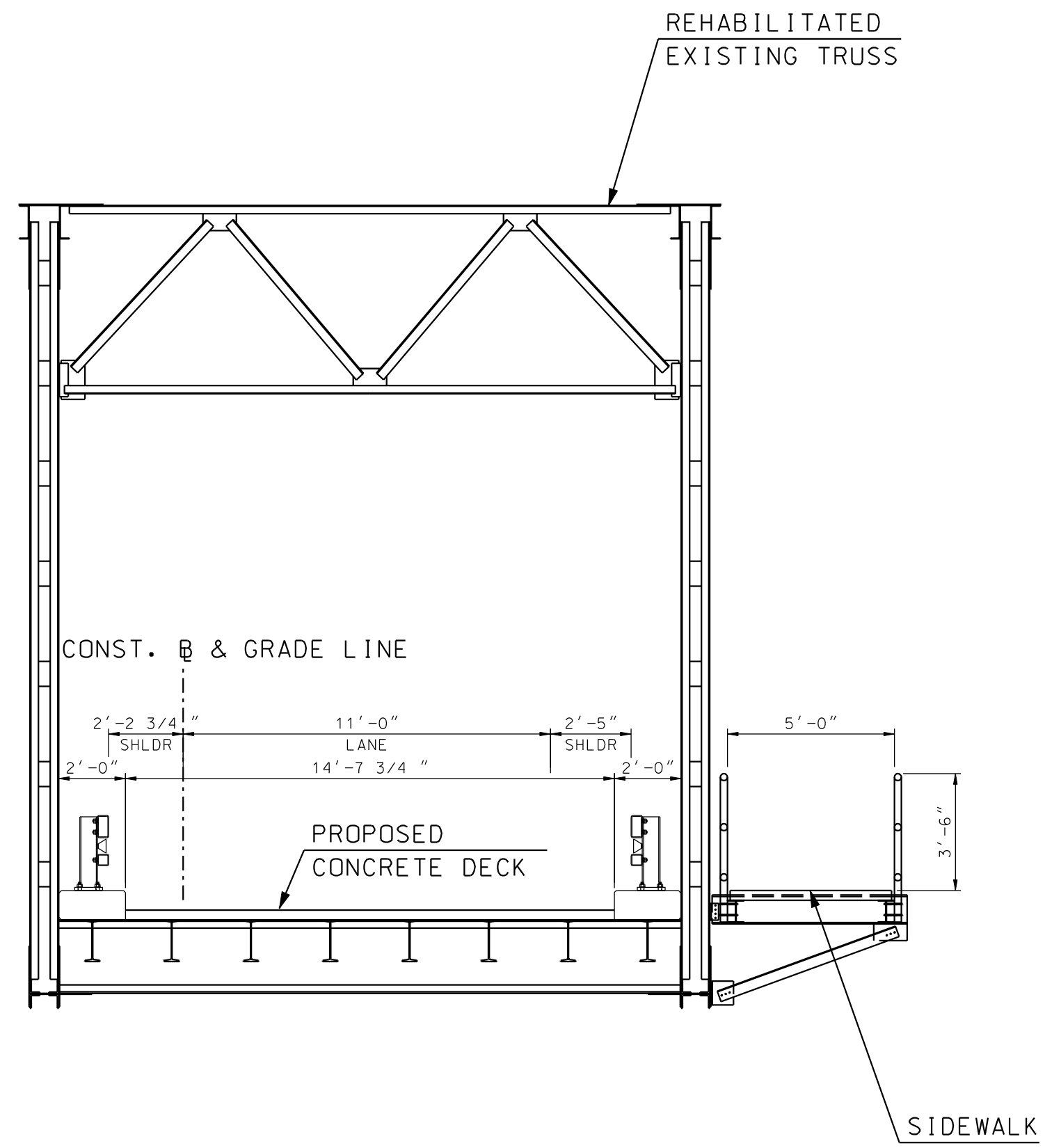


REVISIONS AFTER PROPOSAL		STATION	DESCRIPTION

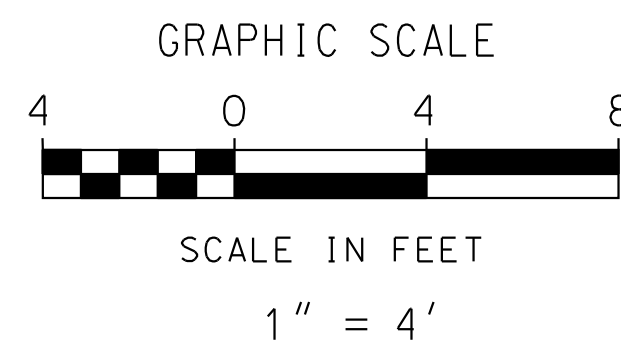
EXISTING DETAIL	\$DRDATE\$	DATE	\$DRDATE\$	DATE
NEW DESIGN	\$DESIGNNAME\$	DATE	\$DESIGNDATE\$	DATE
SHEET CHECKED	\$CHECKEDNAME\$	DATE	\$CHECKEDDATE\$	DATE
AS BUILT DETAILS		DATE		DATE




PROPOSED BRIDGE SECTION



REHABILITATED BRIDGE SECTION



Drawing Copyright © 2010  11 King Court • Keene, NH 03431-4648 Main: (603) 357-2445 • www.chacompanies.com	STATE OF NEW HAMPSHIRE			
	DEPARTMENT OF TRANSPORTATION • BUREAU OF HIGHWAY DESIGN			
TYPICAL BRIDGE SECTIONS SEWALLS FALLS ROAD				
.DGN FILENAME	FEDERAL PROJECT NO.	STATE PROJECT NO.	SHEET NO.	TOTAL SHEETS
12004-TYP-color				