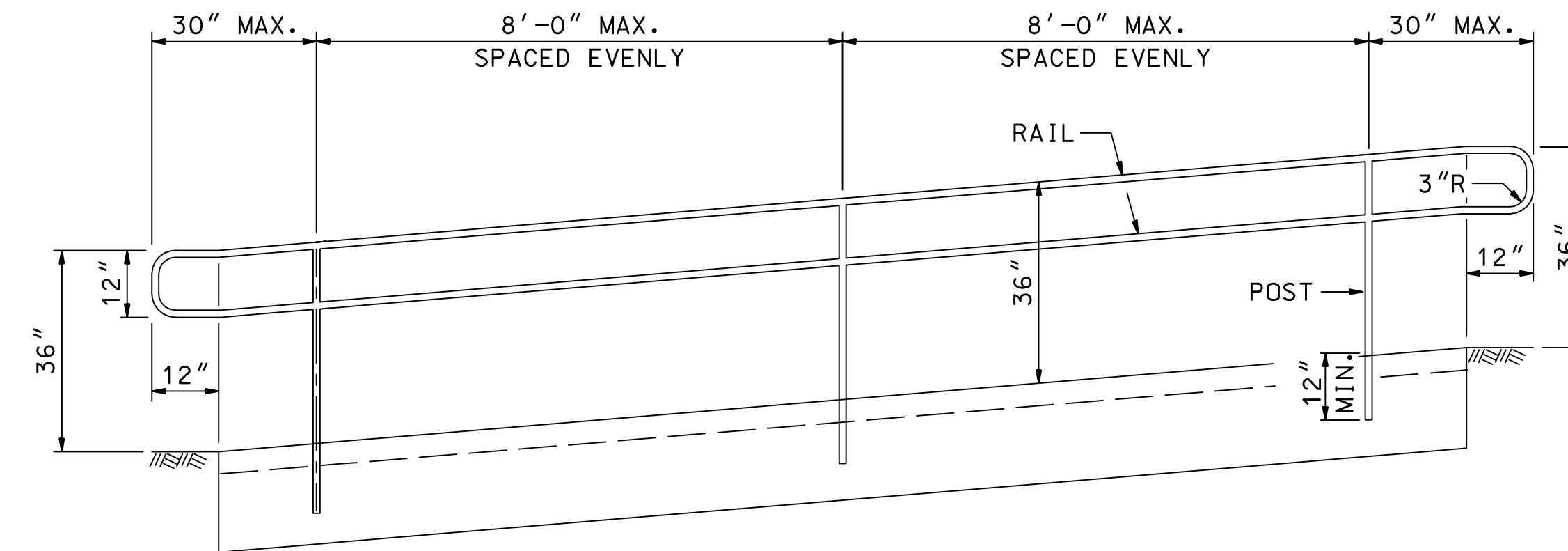


GENERAL NOTES

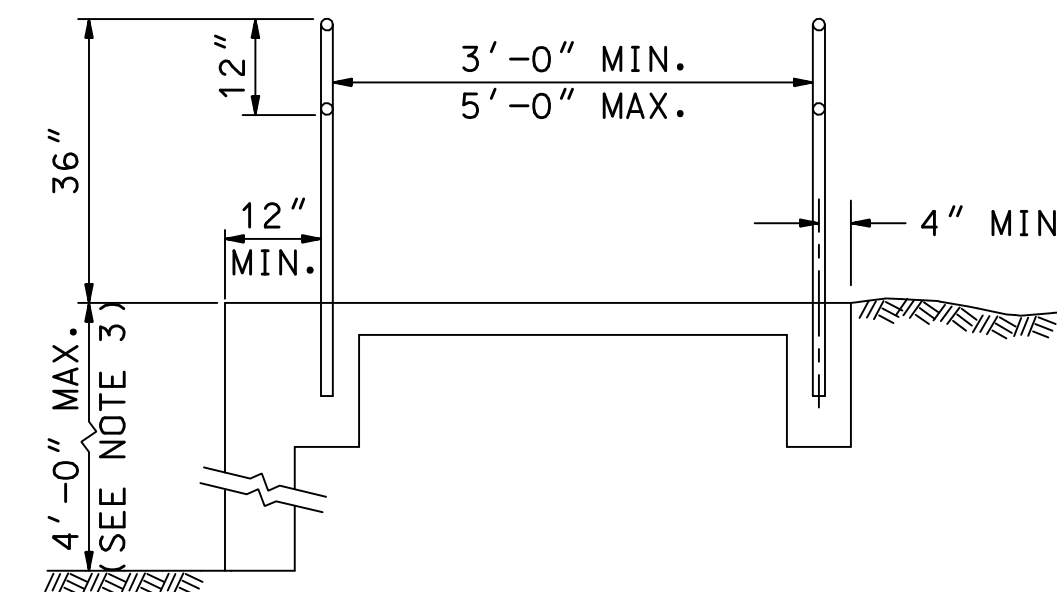
1. RAIL SHALL BE 1 1/4" TO 1 1/2" O.D.
2. POSTS SHALL BE 1 1/4" NOMINAL.
3. POSTS SHALL BE CENTERED IN PARAPET OF STEPS.
4. HANDRAILS SHALL BE INSTALLED ON BOTH SIDES OF STEPS.
5. THE MINIMUM SPACING BETWEEN HANDRAILS IS 3'-0", MAXIMUM 5'-0".
6. ITEM 606.610X - STEP HANDRAIL, (MATERIAL).

NHDOT STANDARD PLANS
STEP HANDRAIL

REV. DATE	PLATE
06-16-2010	1
	STANDARD
	HR-1



ELEVATION



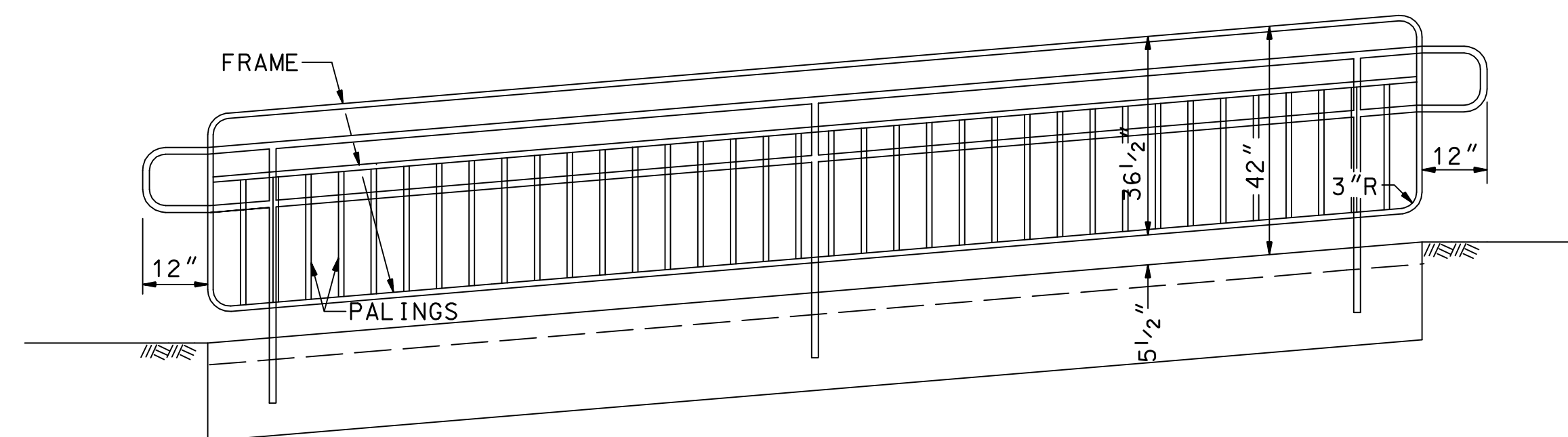
CROSS-SECTION

GENERAL NOTES

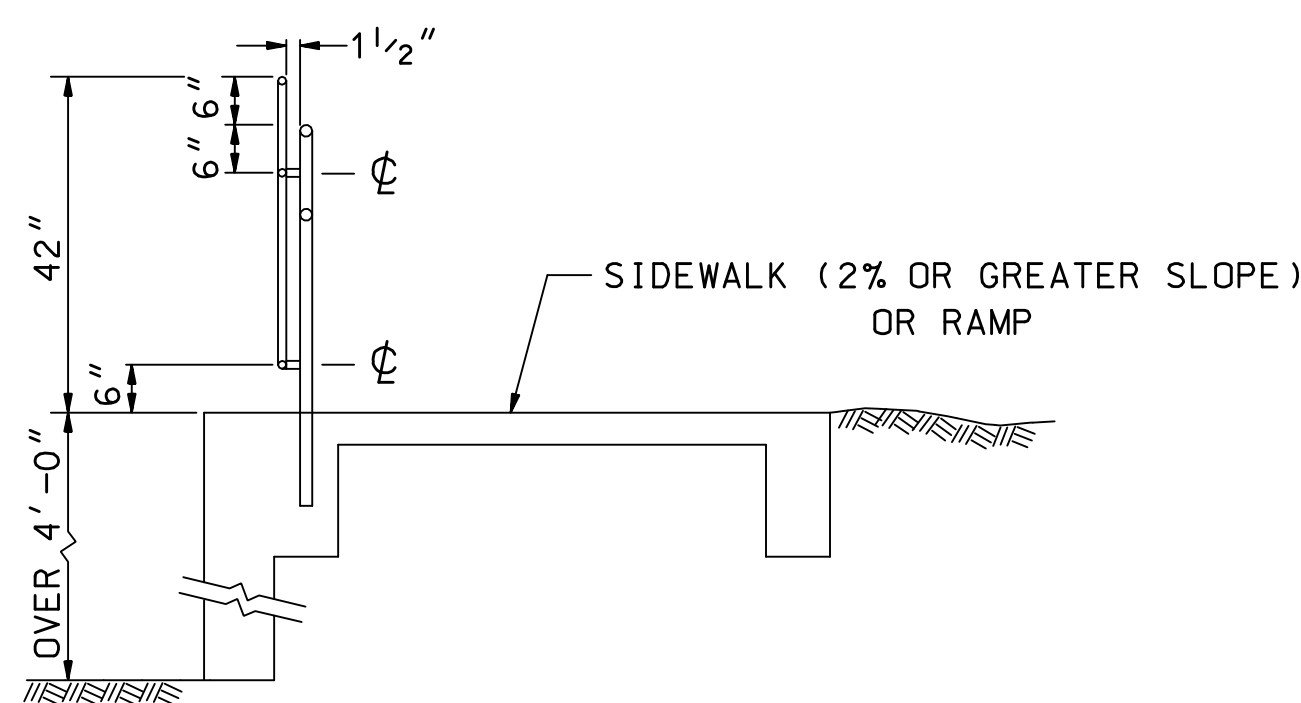
1. RAIL SHALL BE 1 1/4" TO 1 1/2" O.D.
2. POSTS SHALL BE 1 1/4" NOMINAL.
3. WHEN THIS DIMENSION EXCEEDS 4'-0" A GUARD IS REQUIRED (SEE PLATE 3).
4. ITEM 606.620X - RAMP HANDRAIL, (MATERIAL).

NHDOT STANDARD PLANS
RAMP HANDRAIL

REV. DATE	PLATE
06-16-2010	2
	STANDARD
	HR-1



ELEVATION



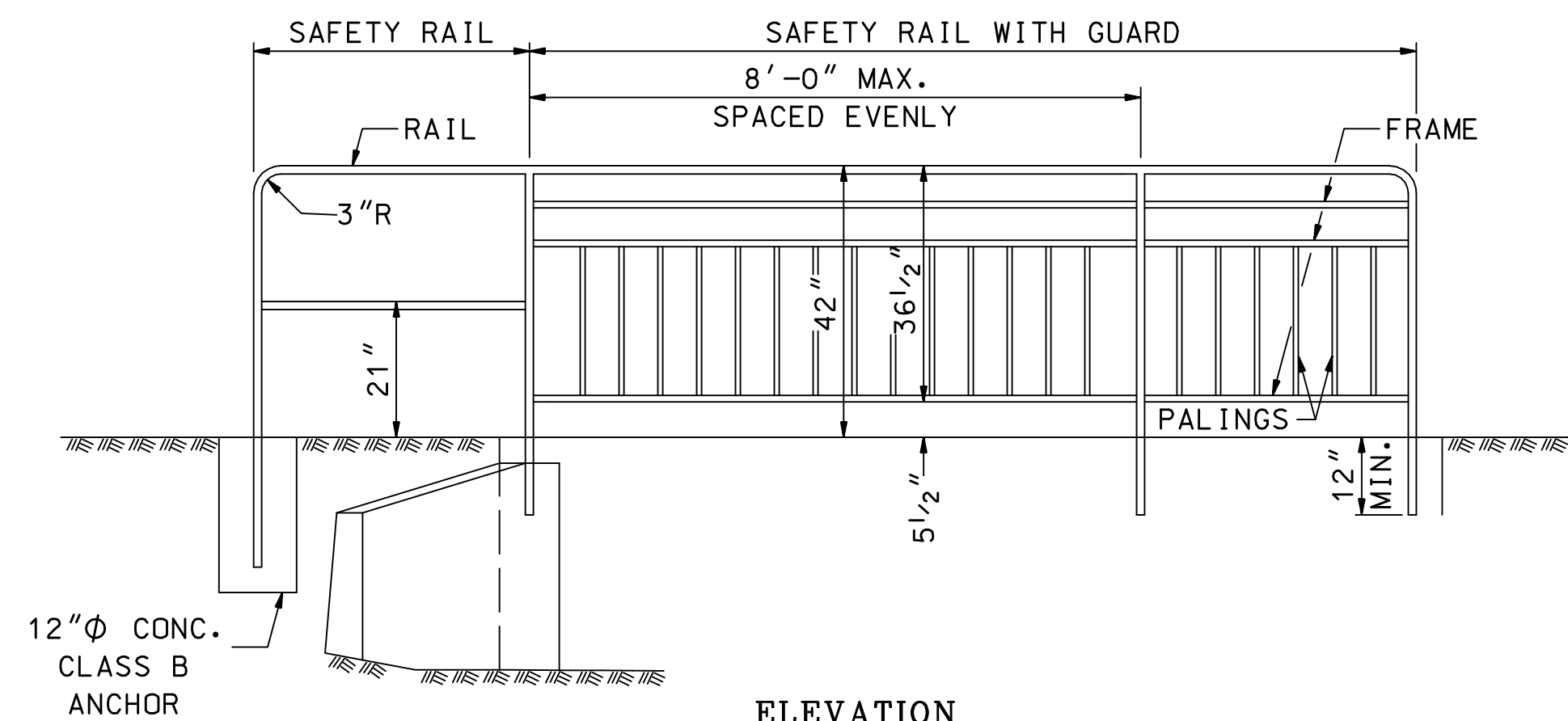
CROSS-SECTION

GENERAL NOTES

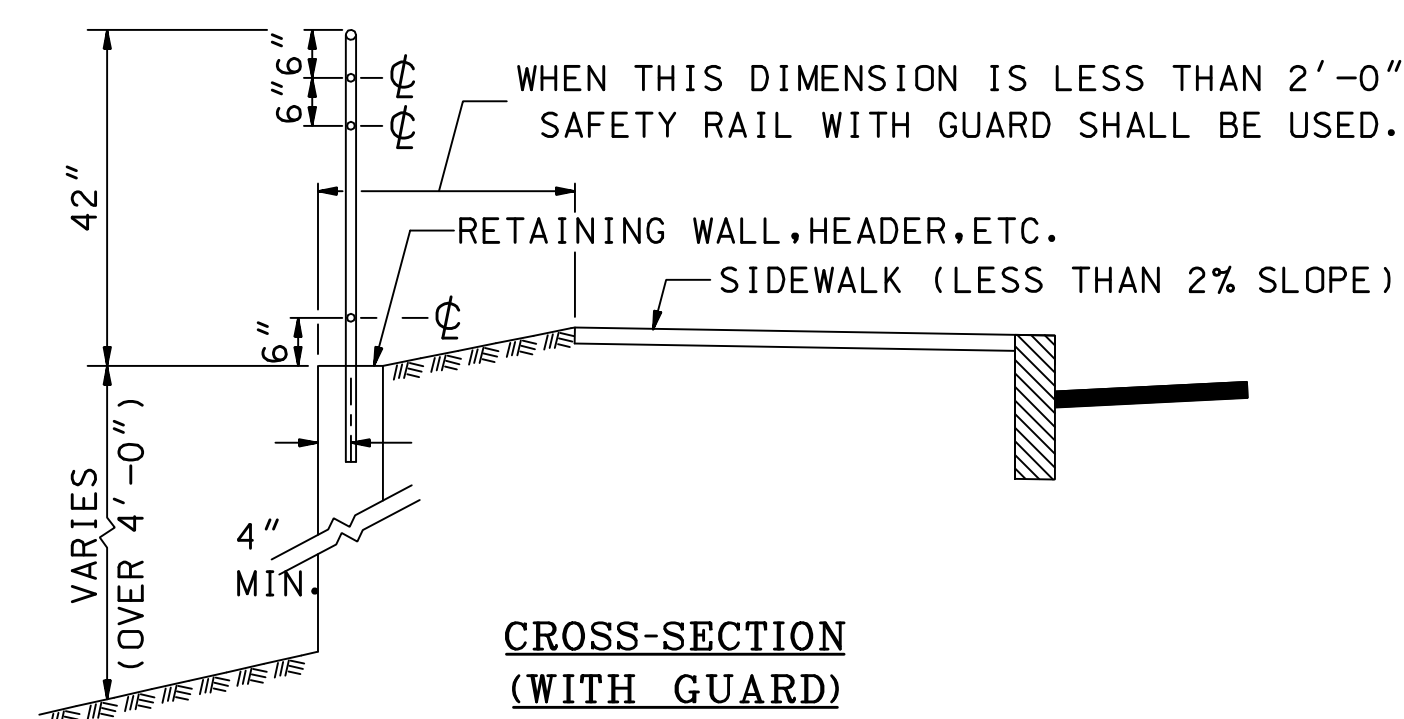
1. FOR DETAILS OF HANDRAIL, SEE PLATE 2.
2. FRAME AND CONNECTORS TO HANDRAIL SHALL BE 1" NOMINAL.
3. PALINGS SHALL BE 3/4" NOMINAL SPACED 6" ON CENTER.
4. ITEM 606.611X - STEP HANDRAIL W/ GUARD, (MATERIAL); 606.621X - RAMP HANDRAIL W/ GUARD, (MATERIAL).

NHDOT STANDARD PLANS
GUARD FOR HANDRAIL

REV. DATE	PLATE
06-16-2010	3
	STANDARD
	HR-1



ELEVATION



CROSS-SECTION (WITH GUARD)

GENERAL NOTES

1. RAIL, POSTS, AND HORIZONTAL MEMBER OF SAFETY RAIL WITHOUT GUARD SHALL BE 1 1/4" NOMINAL.
2. FRAME SHALL BE 1" NOMINAL.
3. PALINGS SHALL BE 3/4" NOMINAL SPACED 6" ON CENTER.
4. ITEM 606.630X - SAFETY RAIL, (MATERIAL); 606.631X - SAFETY RAIL W/ GUARD, (MATERIAL).

NHDOT STANDARD PLANS
SAFETY RAIL & SAFETY RAIL WITH GUARD

REV. DATE	PLATE
06-16-2010	4
	STANDARD
	HR-1

STANDARD NO. HR-1

REVISION DATE
07-13-2001
06-16-2010

*DGN FILE NAME
HR-1

STANDARD PLANS



STANDARD NO. HR-1