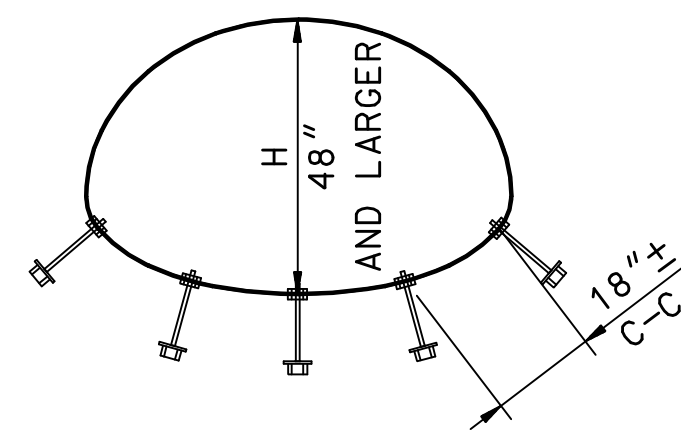
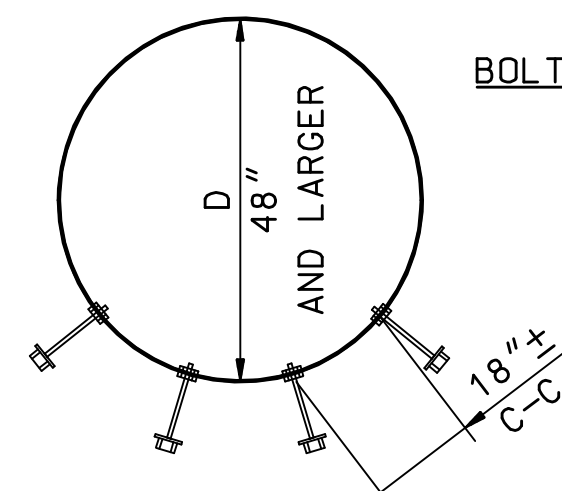


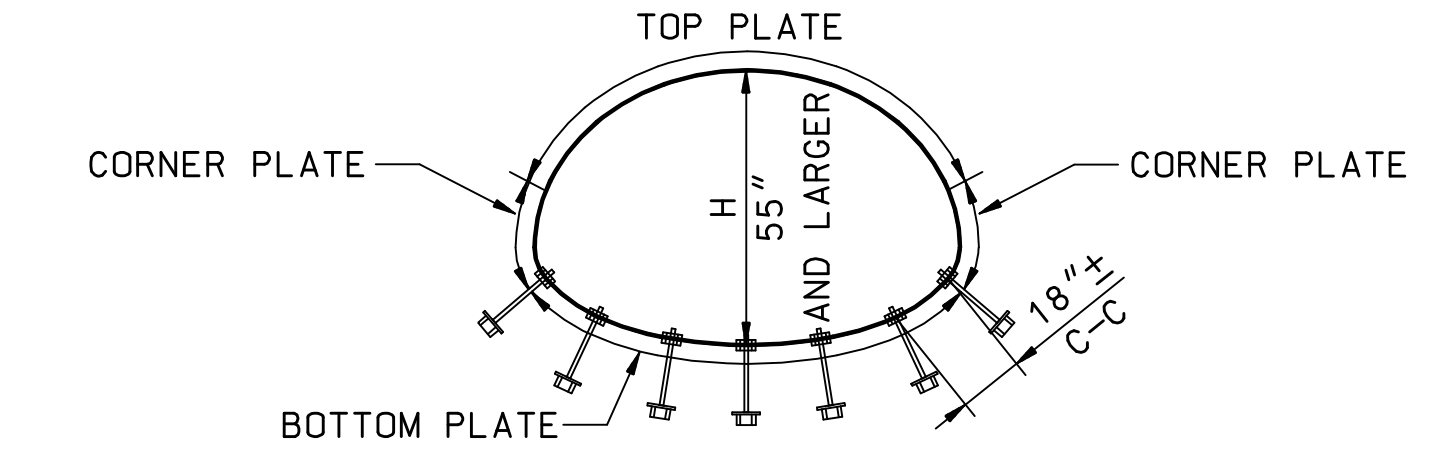
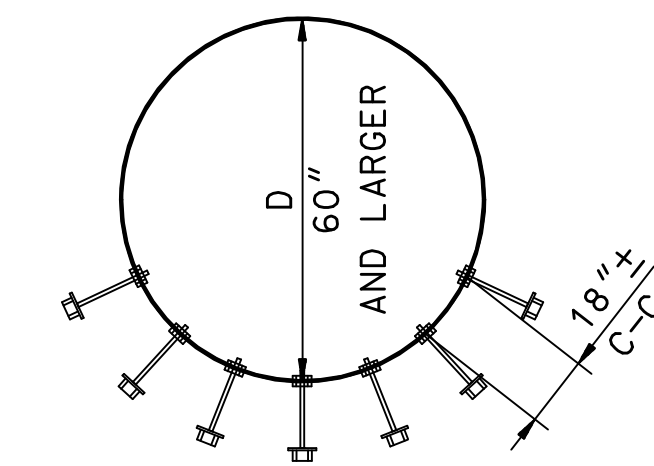
REVISION DATE
07-13-2001
06-16-2010

*DGN FILE NAME
DP-1

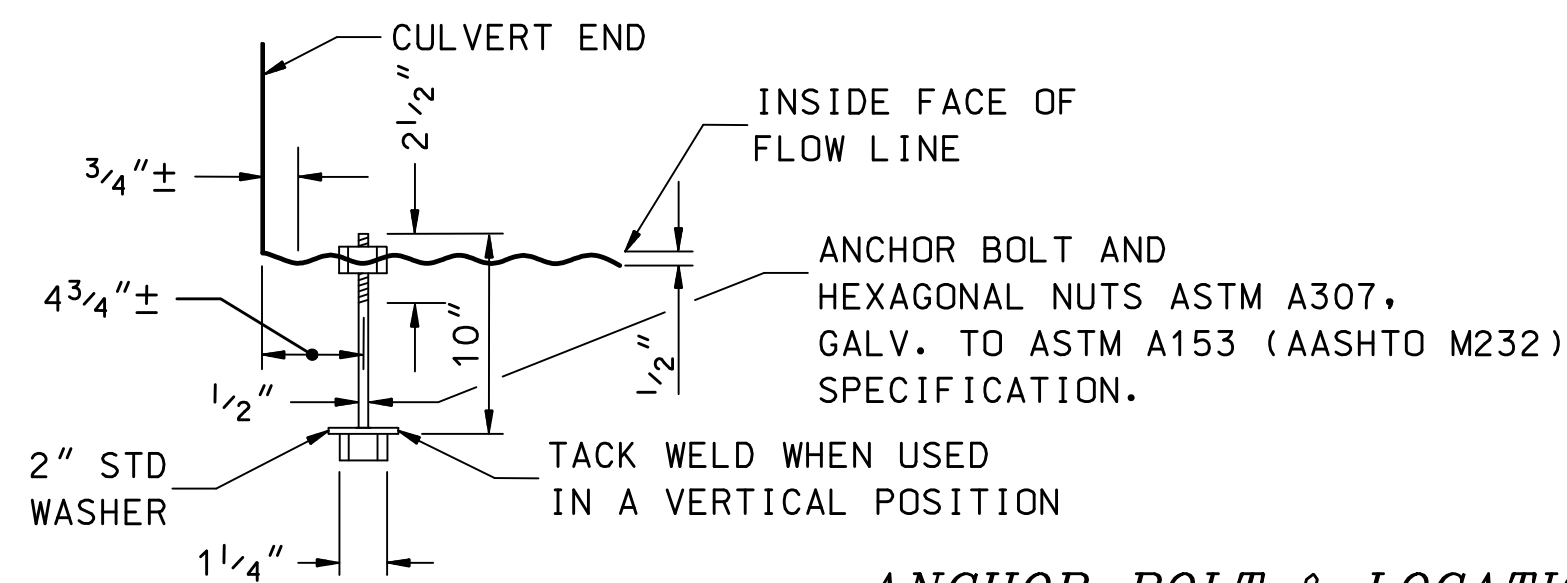
BOLTS FOR USE WITH LOW HEADWALL STRUCTURES



ELEVATIONS



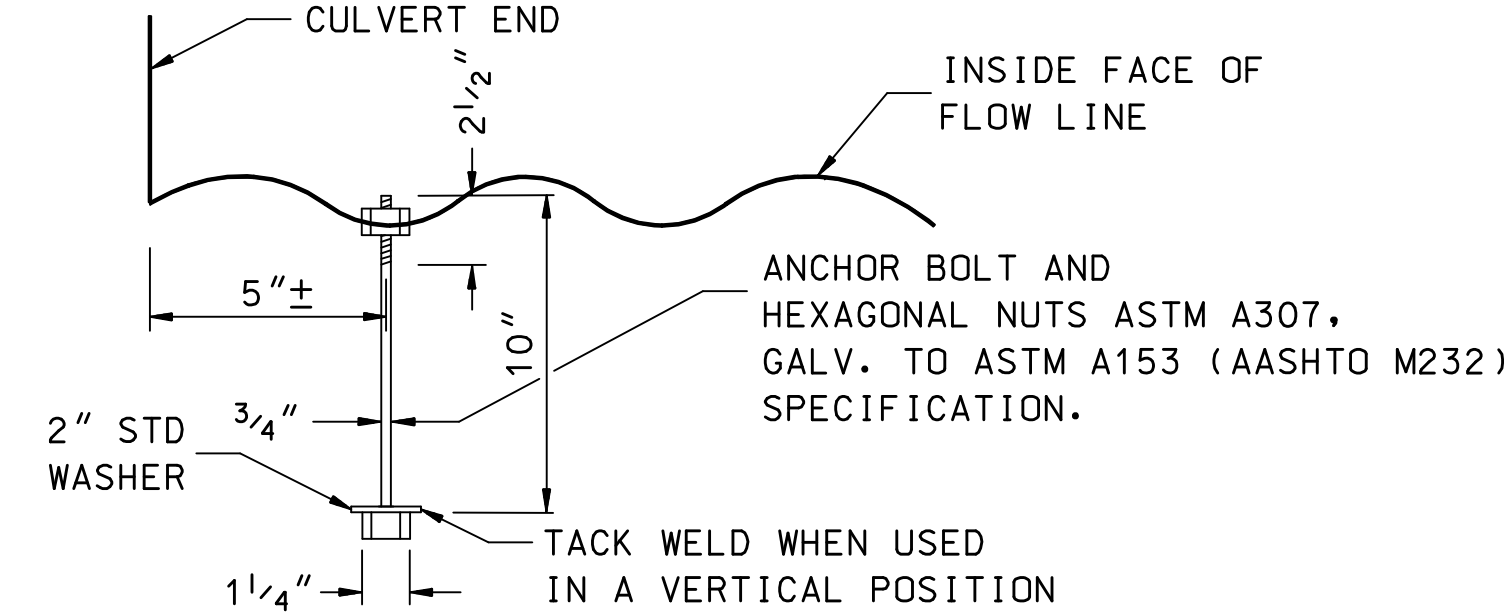
ELEVATIONS



ANCHOR BOLT & LOCATION

ALL HOLES 9/16" DIA. TO BE DRILLED OR PUNCHED PRIOR TO COATING PIPE, OR FIELD DRILLED IF CHANGES ORDERED.

BOLTS TO BE SPACED APPROX. 18" C-C.

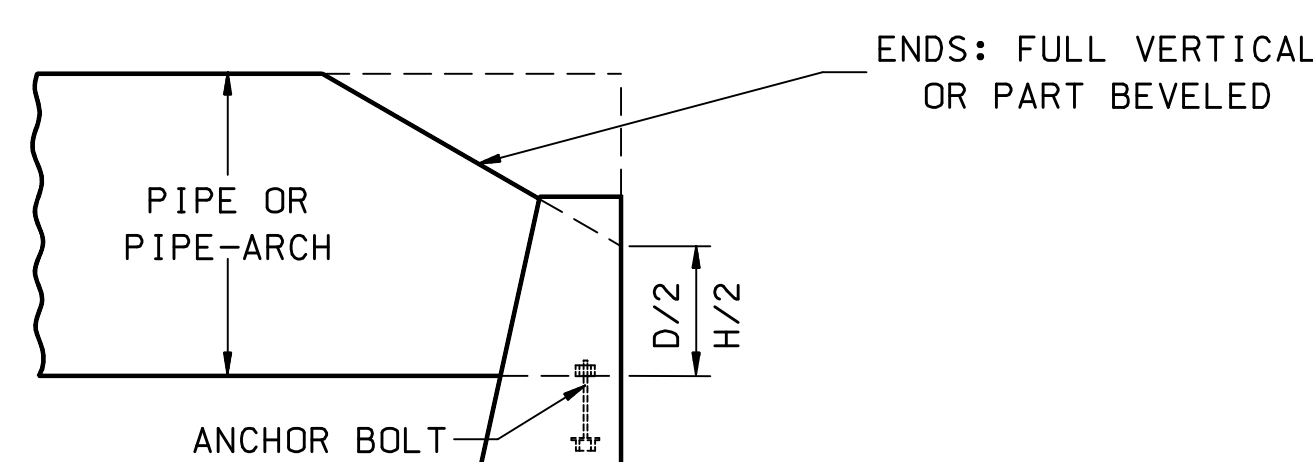


ANCHOR BOLT & LOCATION

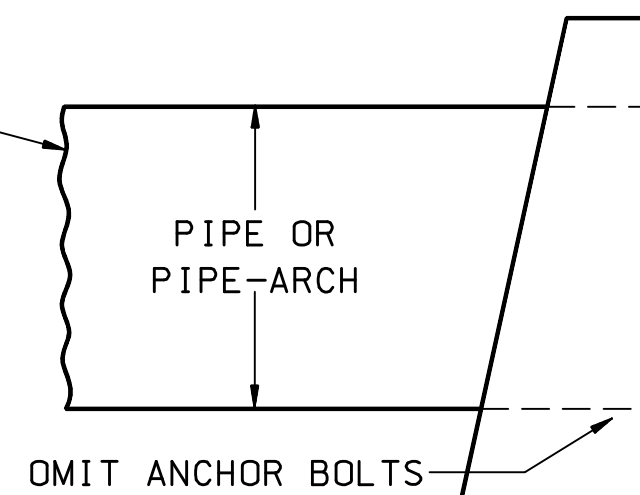
ALL HOLES 7/8" DIA. TO BE DRILLED OR PUNCHED PRIOR TO COATING PIPE, OR FIELD DRILLED IF CHANGES ORDERED.

BOLTS TO BE SPACED APPROX. 18" C-C, EXCEPT ON SKEW CUT ENDS. SOME HOLES WILL NOT BE IN CORRUGATION VALLEY.

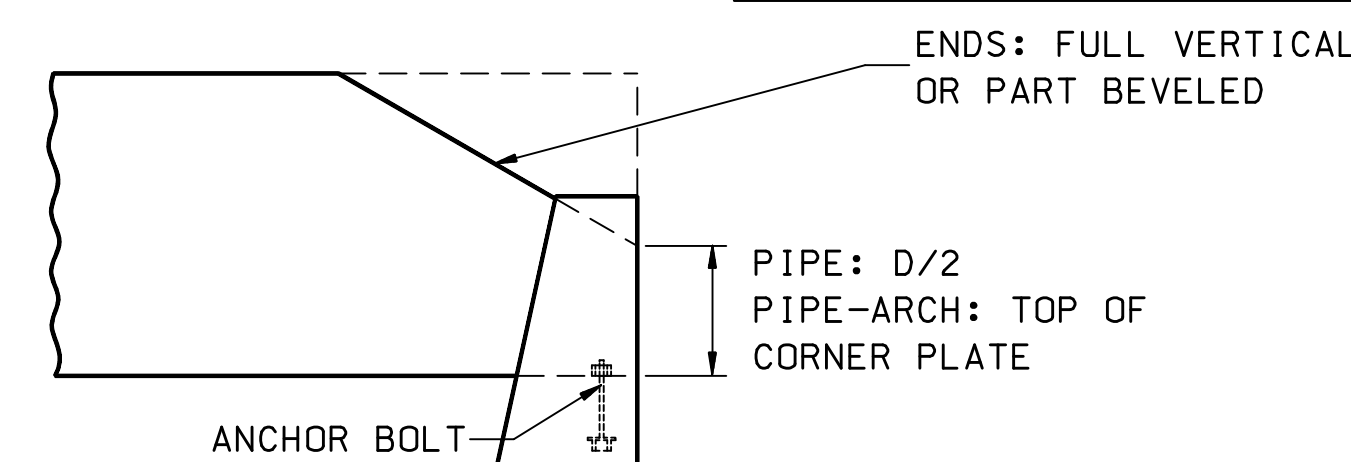
NOTE: WITH FULL HEADWALL, ANCHOR BOLTS NOT REQUIRED, EXCEPT ON SKEWS GREATER THAN 20° WHERE FULL PERIPHERY ANCHOR BOLTS ARE TO BE USED.



DESIGN WITH LOW HEADWALL



DESIGN WITH FULL HEADWALL



DESIGN WITH LOW HEADWALL

NHDOT STANDARD PLANS

ANCHOR BOLTS FOR CORRUGATED STEEL PIPE AND PIPE-ARCH

REV. DATE	PLATE
06-16-2010	1
	STANDARD
	DP-1

NHDOT STANDARD PLANS

ANCHOR BOLTS FOR STRUCTURAL STEEL PLATE PIPE AND PIPE-ARCH

REV. DATE	PLATE
06-16-2010	2
	STANDARD
	DP-1

NHDOT STANDARD PLANS

REV. DATE	PLATE
	3
	STANDARD
	DP-1

NHDOT STANDARD PLANS

REV. DATE	PLATE
	4
	STANDARD
	DP-1