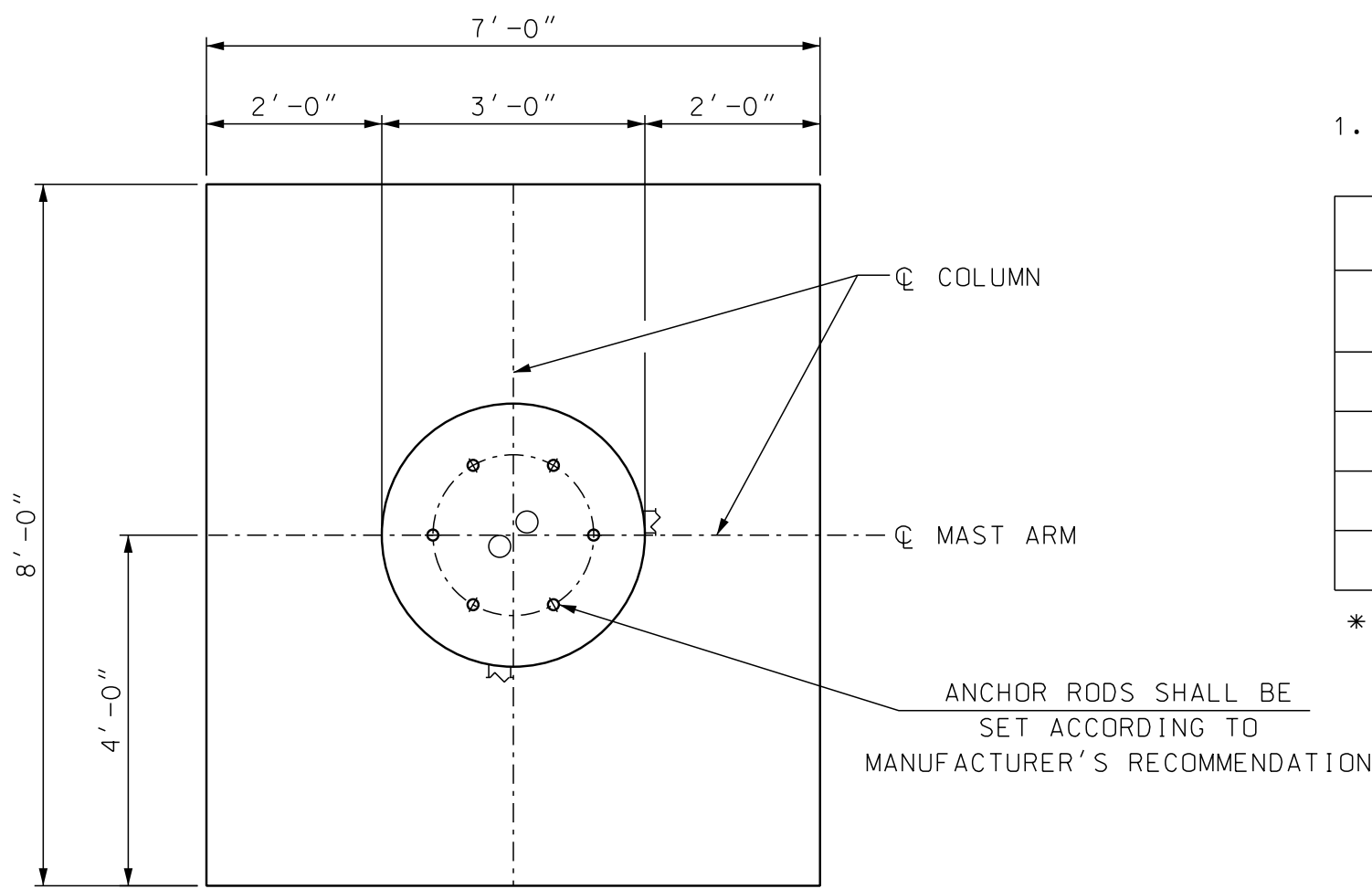


TRAFFIC SIGNAL MAST ARM FOUNDATION - TYPE 1B



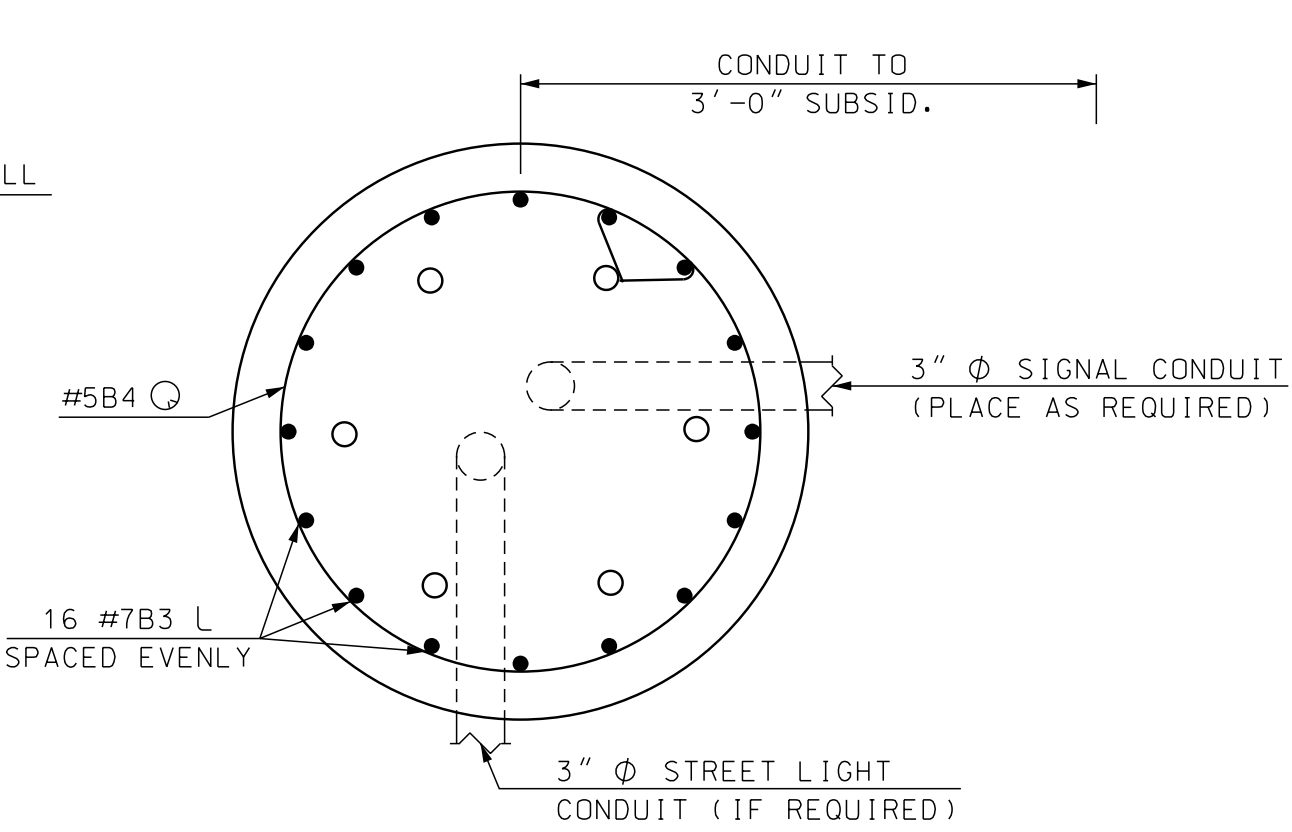
PLAN VIEW

NOTES
 1. SEE MAST ARM FOUNDATION - TYPE 1A STANDARD PLAN TS-1, FOR TYPE 1 FOUNDATION NOTES.

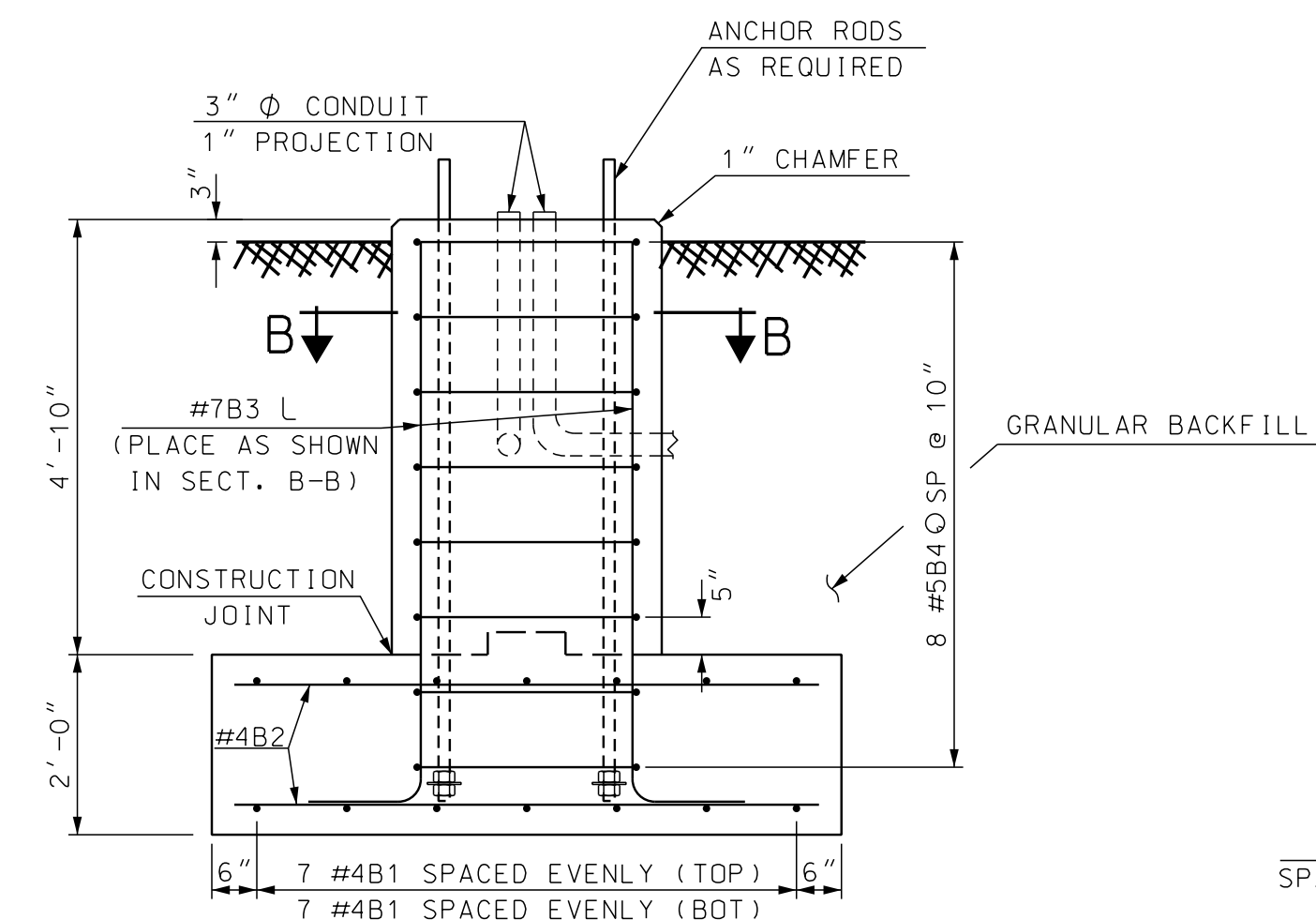
| TYPICAL QUANTITIES PER BASE | | |
|-----------------------------|-----------------------------|----------|
| ITEM NUMBER | ITEM | QUANTITY |
| 206.1* | COMMON STRUCTURE EXCAVATION | 22 CY |
| 209.1* | GRANULAR BACKFILL | 16.6 CY |
| 520.21* | CONCRETE CLASS B, FOOTINGS | 5.4 CY |
| 544* | REINFORCING STEEL | 457 LB |

* ITEM NUMBERS ARE FOR SPECIFICATION REFERENCE ONLY. NO SEPARATE PAYMENT WILL BE MADE FOR THESE ITEMS.

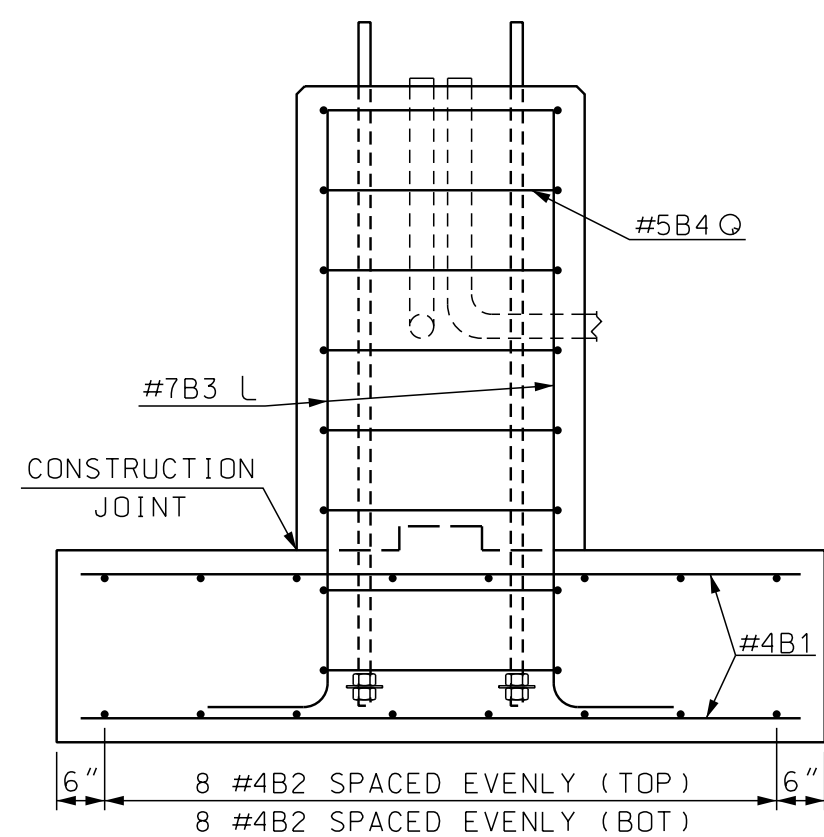
| TYPE 1B REINFORCING SCHEDULE | | | | |
|------------------------------|------|-----|---------------|------|
| MARK | SIZE | NO. | UNBENT LENGTH | TYPE |
| B1 | #4 | 14 | 7'-6" | — |
| B2 | #4 | 16 | 6'-6" | — |
| B3 | #7 | 16 | 7'-4" | L |
| B4 | #5 | 8 | 9'-3" | ⊙ |



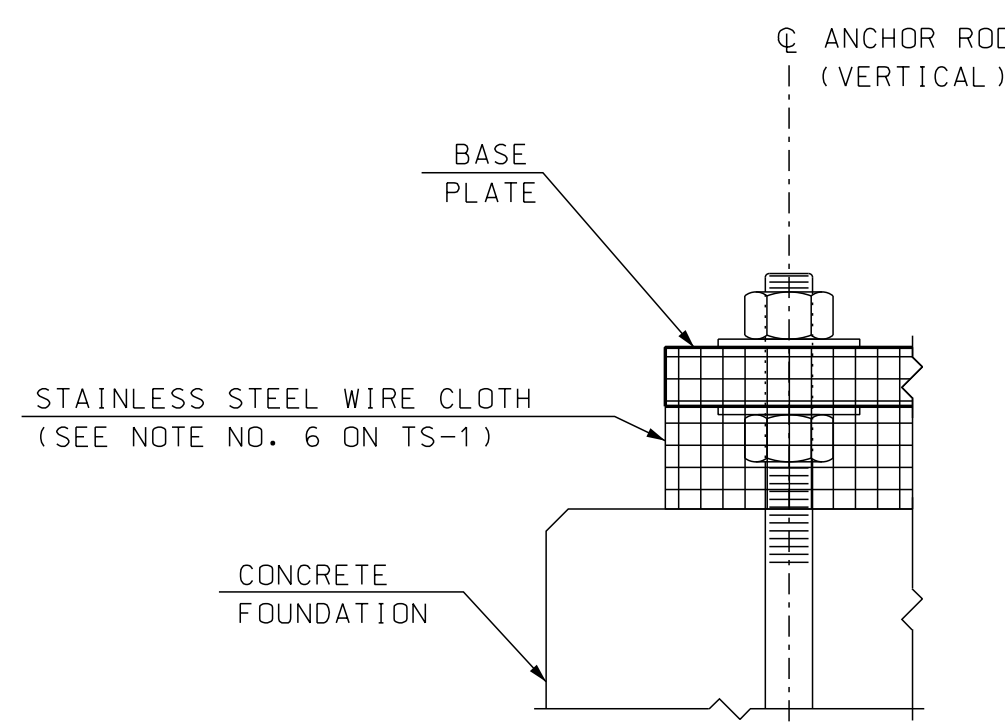
SECTION B-B



ELEVATION VIEW

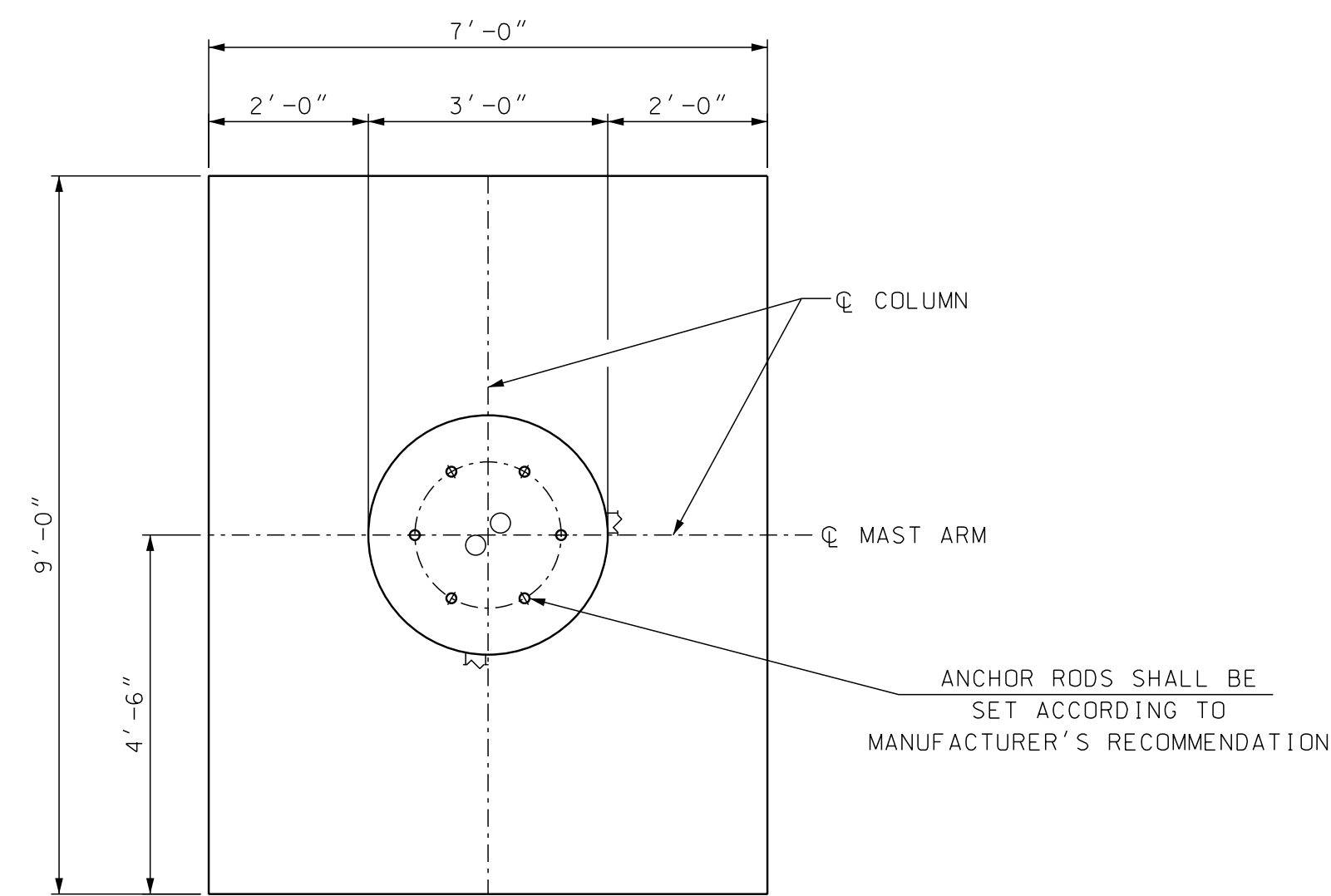


END ELEVATION VIEW



SCREEN DETAIL

TRAFFIC SIGNAL MAST ARM FOUNDATION - TYPE 1C



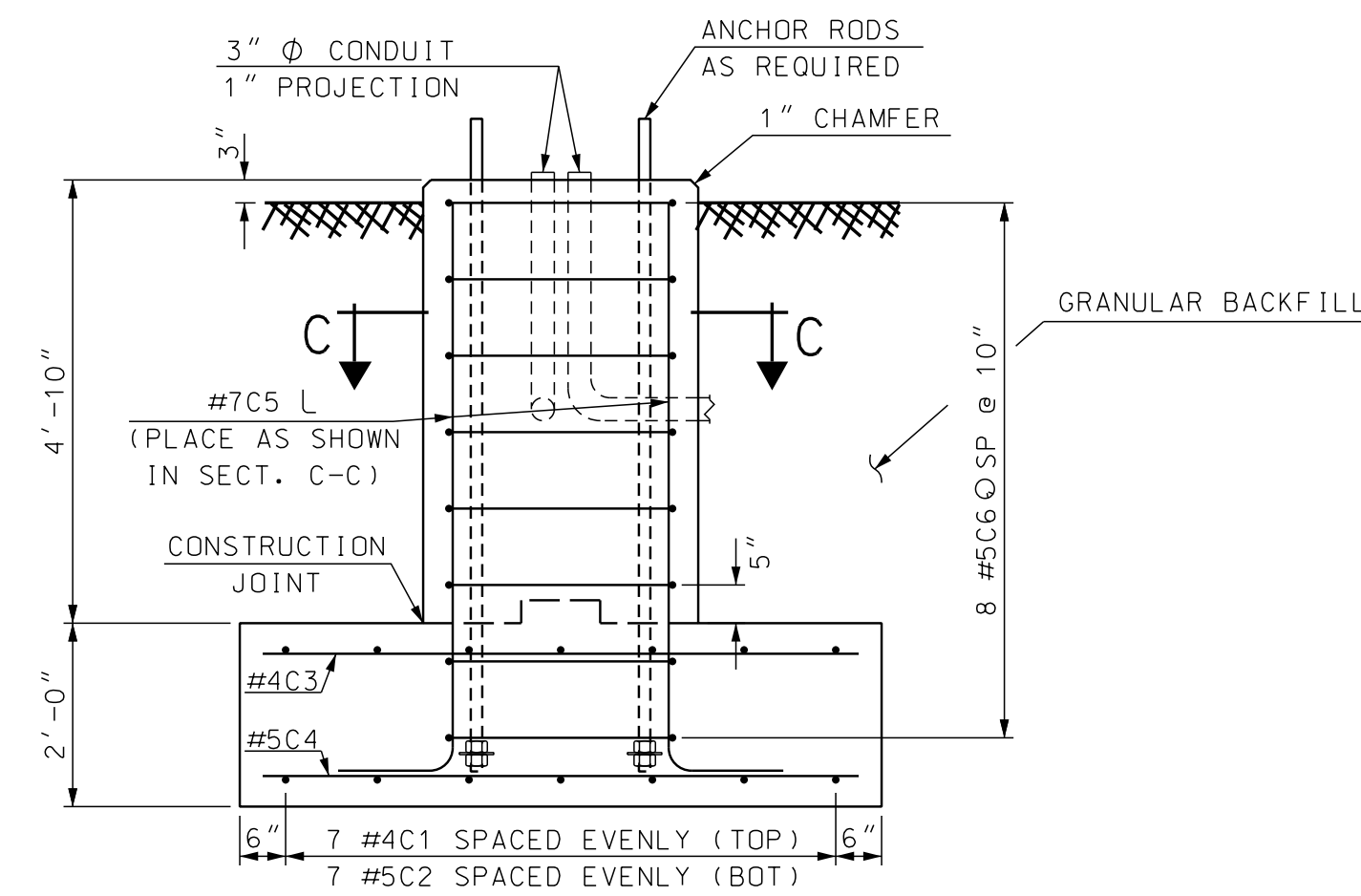
PLAN VIEW

NOTES
 1. SEE MAST ARM FOUNDATION - TYPE 1A STANDARD PLAN TS-1, FOR TYPE 1 FOUNDATION NOTES.

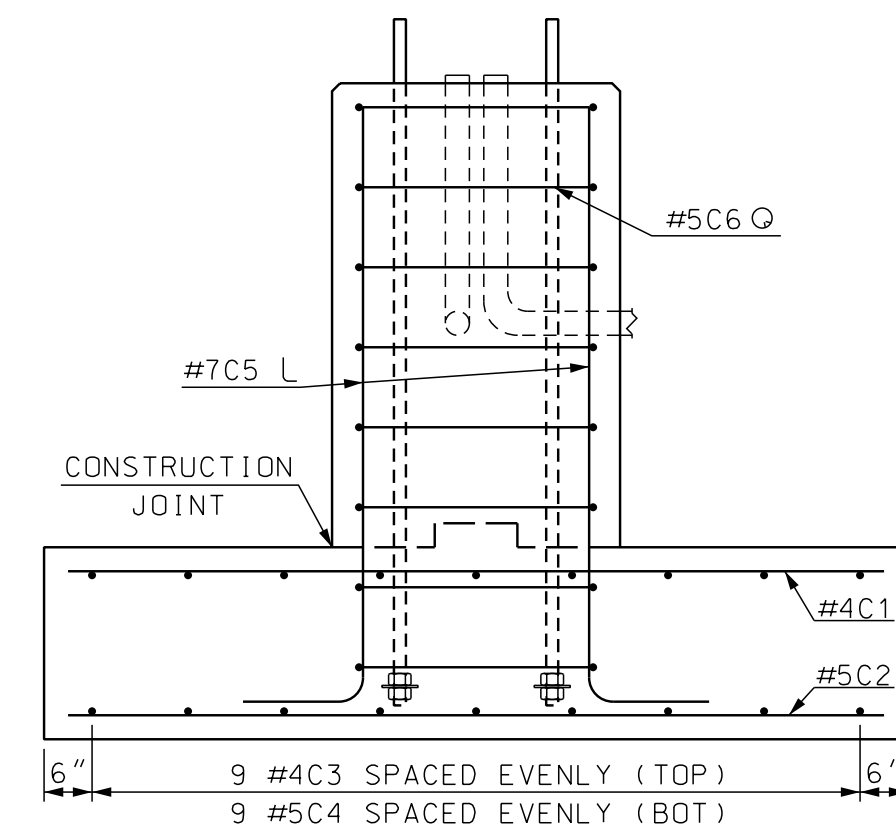
| TYPICAL QUANTITIES PER BASE | | |
|-----------------------------|-----------------------------|----------|
| ITEM NUMBER | ITEM | QUANTITY |
| 206.1* | COMMON STRUCTURE EXCAVATION | 24 CY |
| 209.1* | GRANULAR BACKFILL | 18.3 CY |
| 520.21* | CONCRETE CLASS B, FOOTINGS | 5.9 CY |
| 544* | REINFORCING STEEL | 519 LB |

* ITEM NUMBERS ARE FOR SPECIFICATION REFERENCE ONLY. NO SEPARATE PAYMENT WILL BE MADE FOR THESE ITEMS.

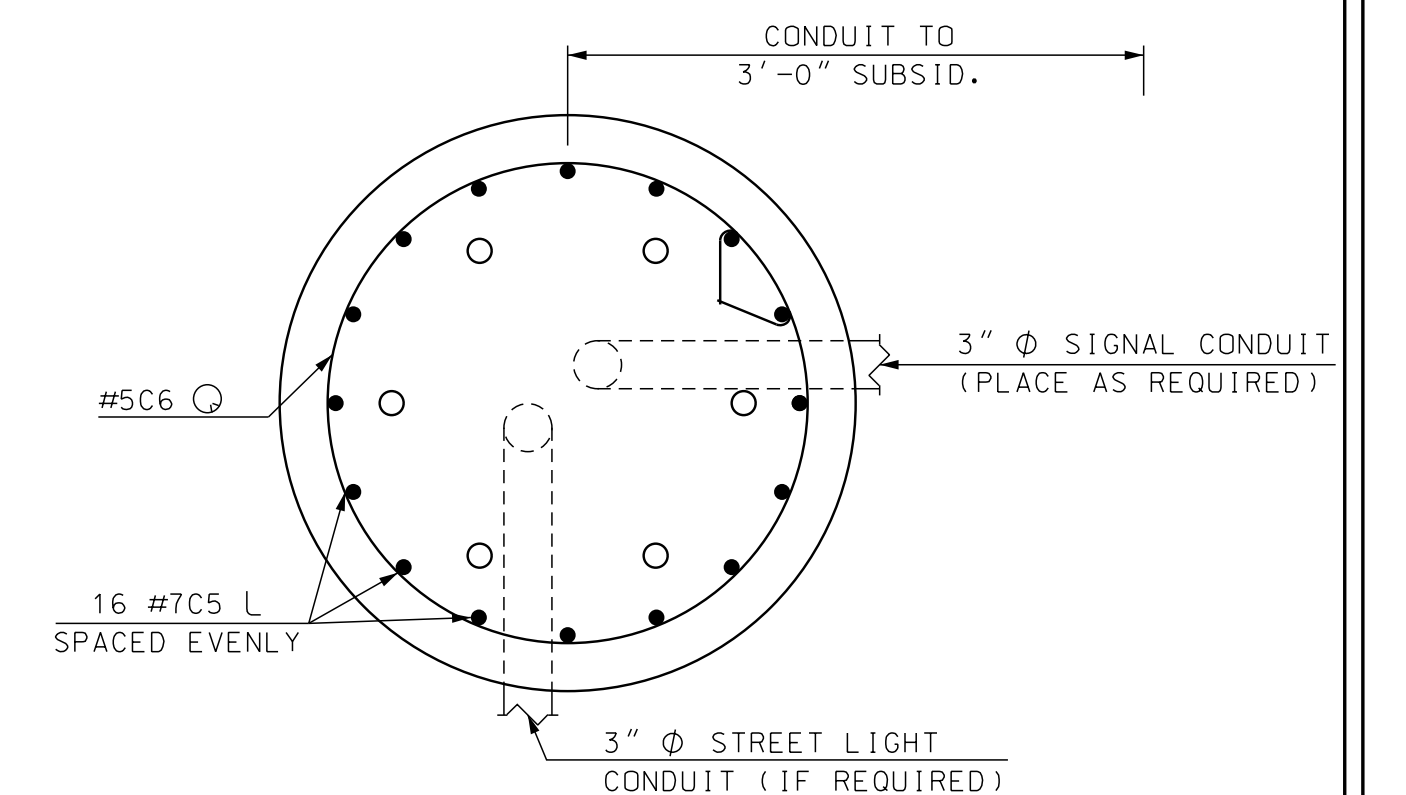
| TYPE 1C REINFORCING SCHEDULE | | | | |
|------------------------------|------|-----|---------------|------|
| MARK | SIZE | NO. | UNBENT LENGTH | TYPE |
| C1 | #4 | 7 | 8'-6" | — |
| C2 | #5 | 7 | 8'-6" | — |
| C3 | #4 | 9 | 6'-6" | — |
| C4 | #5 | 9 | 6'-6" | — |
| C5 | #7 | 16 | 7'-4" | L |
| C6 | #5 | 8 | 9'-3" | ⊙ |



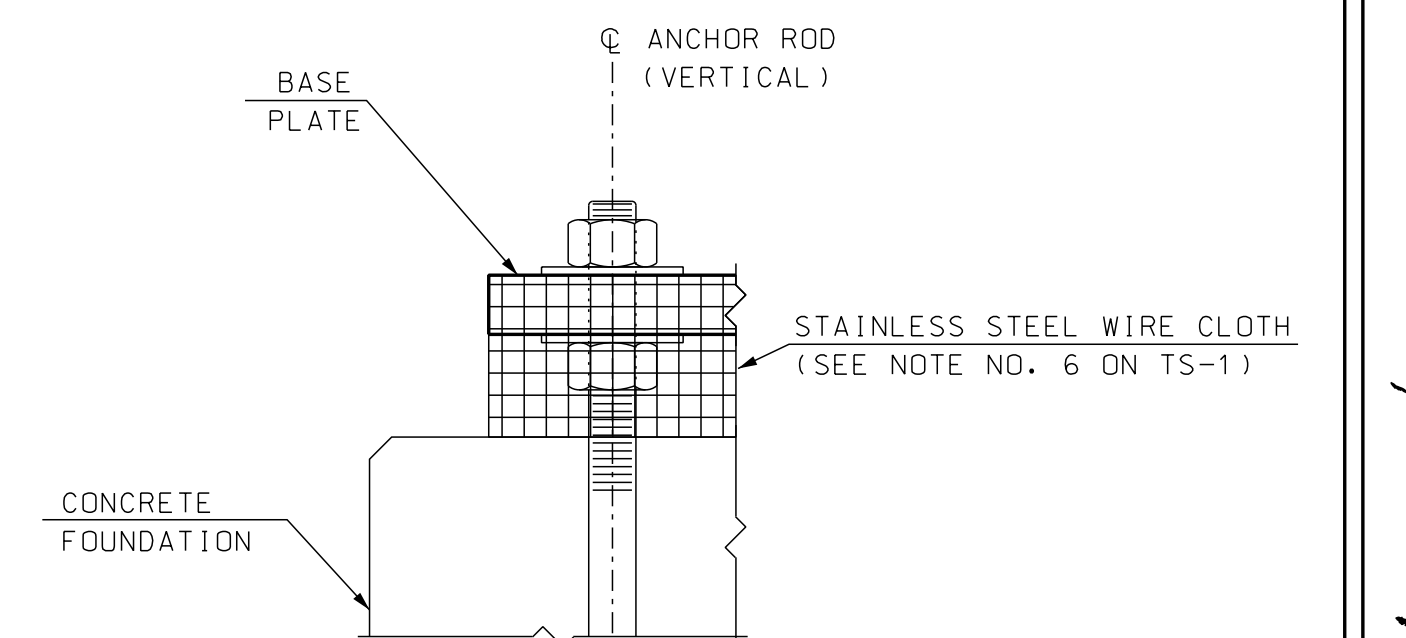
ELEVATION VIEW



END ELEVATION VIEW



SECTION C-C



SCREEN DETAIL

TRAFFIC SIGNAL STANDARD

Traffic Signal Mast Arm Foundations - Type 1B & 1C

STANDARD NO. TS-2

| REVISION DATE |
|---------------|
| 07-13-01 |
| 02-26-10 |
| 10-09-17 |
| 01-17-19 |

*DGN FILE NAME
 TS-2

STANDARD PLAN

New Hampshire
DOT
 Department of Transportation

STANDARD NO. TS-2